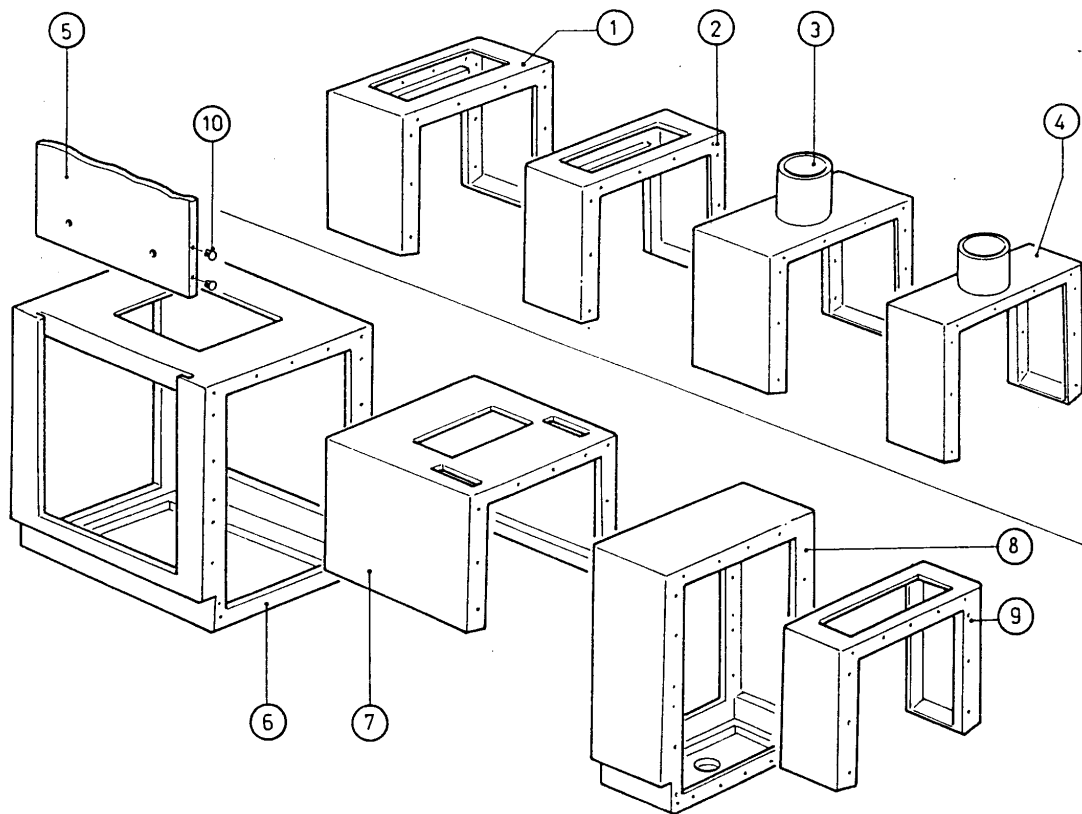


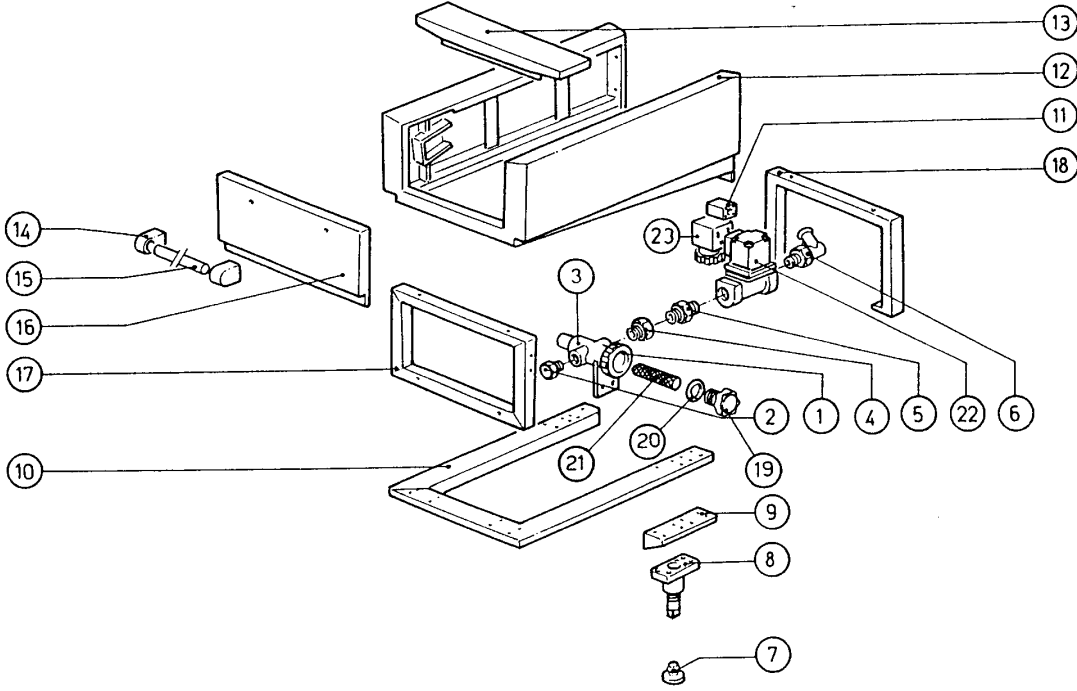
2 - Hood

CODE	DESCRIPTION
160527	PLUG 14,5X2X8
190129	HANDLE SUPPORT SE NE GREY
200402	SELF-ADHES.RUBB.SPONGE STRIPS
320703	SPLASH SHIELD MM 300
320717	SPLASH SHIELD MM 400 (320756)
320967	PORTA CAPOT PRELAVAGGIO NE00
320968	PORTA CAPOT LAVAGGIO NE00
320972	.
330760	DOOR CATCH S3Ø-S90.SNL
330778	BRACKET
331012	HANDLE 412 MM DOOR SE NE G115
331013	HANDLE 717MM FOR SE-NE DOORS
331014	SHORT HANDLE F. RINSE DOOR NE
331425	DOOR CATCH BRACKET SE
340181	HOOD
340182	HOOD MM 1000
340192	HOOD MM 400
340860	TANK
340861	TANK
340889	TANK



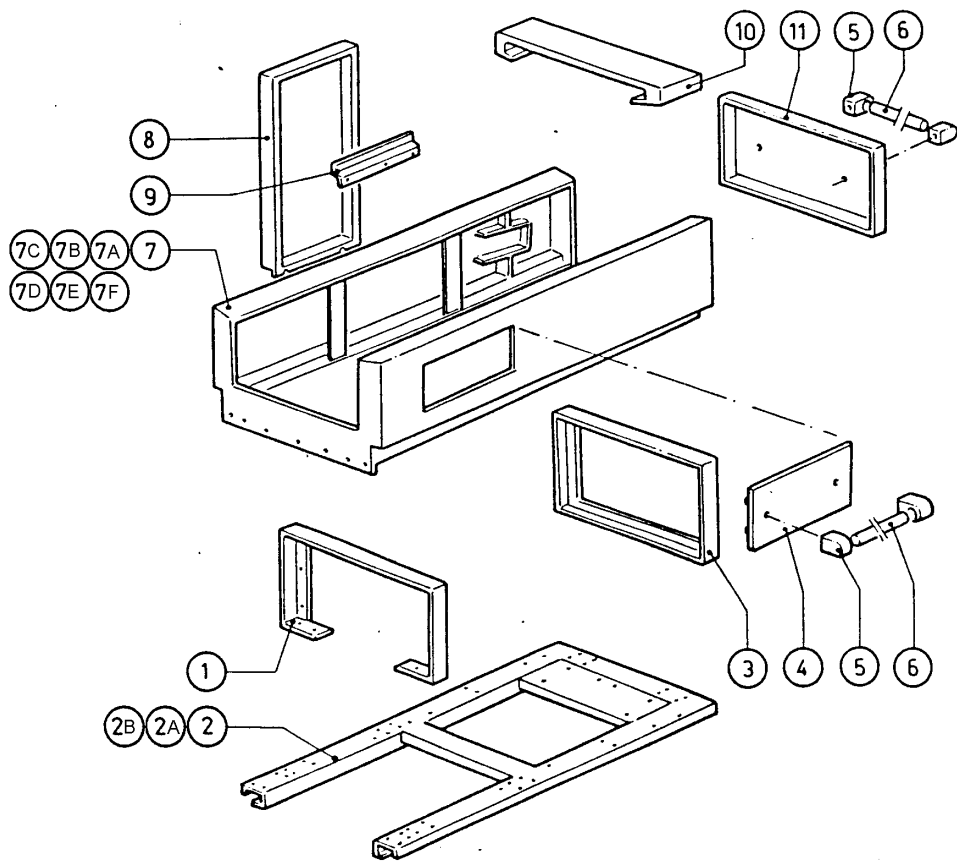
3 - Hoods

CODE	DESCRIPTION
160527	PLUG 14,5X2X8
320716	SPLASH SHIELD MM 300
320718	SPLASH SHIELD MM 400
320719	SPLASH SHIELD MM 300
320720	HOOD
320968	PORTA CAPOT LAVAGGIO NE00
340194	HOOD
340195	HOOD
340197	HOOD
340198	HOOD MM 1000



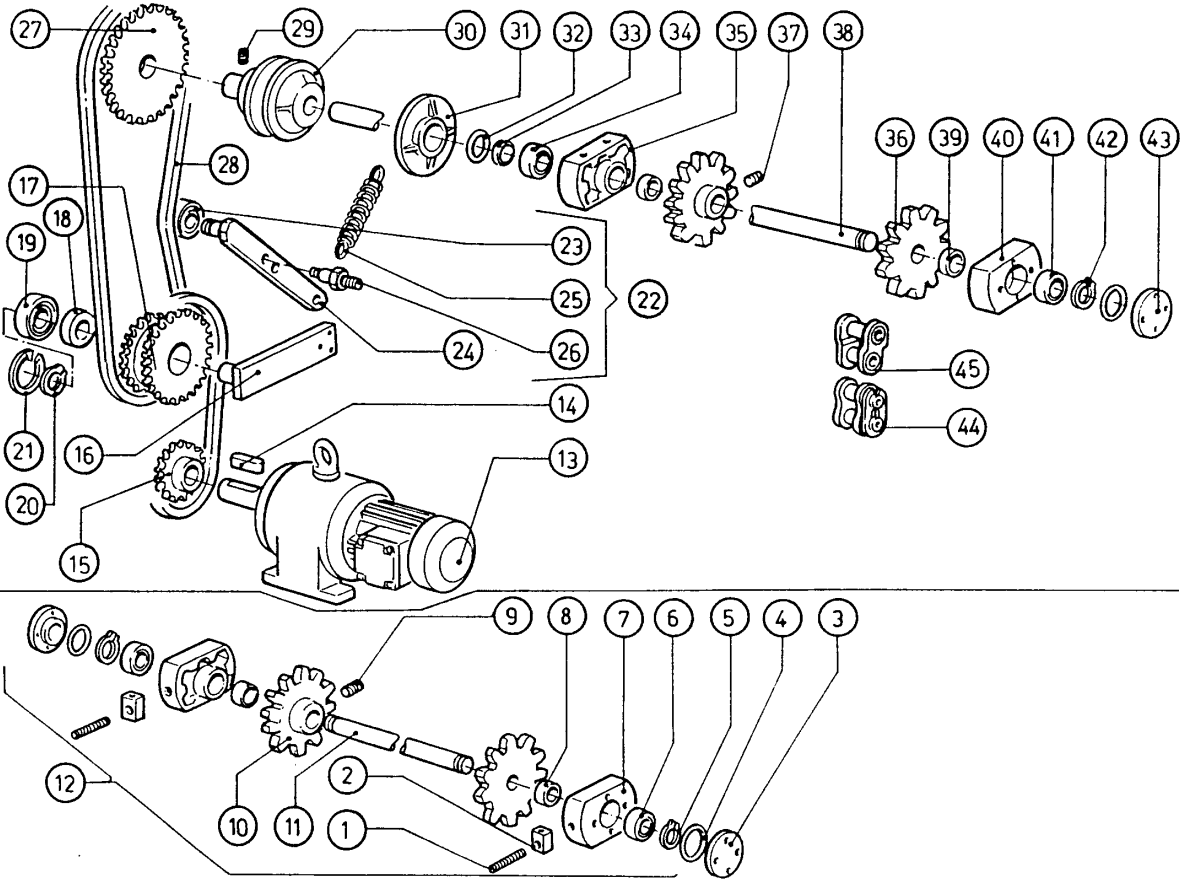
4 - Loading table

CODE	DESCRIPTION
120131	SOLEN. L182Q31-ZB10A 1/2"24V
150034	CONNEC.F.SOLEN.VALVE 122.09.N
160502	PANEL MOUNTING BLOCK
160709	KNOB OF MANIFOLD F. SOLEN. VAL
190129	HANDLE SUPPORT SE NE GREY
200814	O-RING 34,52X41,58X3,53
210404	BLACK RUBBER FOOT S90 NE SE
280504	MANIFOLD CONN.HOSE
290105	BRASS-TE-PLUG 1/2"
290215	1/2"BSP M/F UNION BRASS
320971	DOOR
330526	FILTERS 22X28 SOLENOID V.MANIF
331012	HANDLE 412 MM DOOR SE NE G115
340555	ENTRY TABLE 1200
340602	PANEL
350811	JUNCTION
390246	FRAME
391202	FRAME
391219	FRAME
510285	SOLENOID VALVE MANIFOLD - BRAS
510403	CONNECT.HOSE 90Ø1/2"X12
620121	TWIN SOLENOID VALVE MANIFOLD
620222	COMPLETE ALUMINIUM LEGS



5 - Exit table

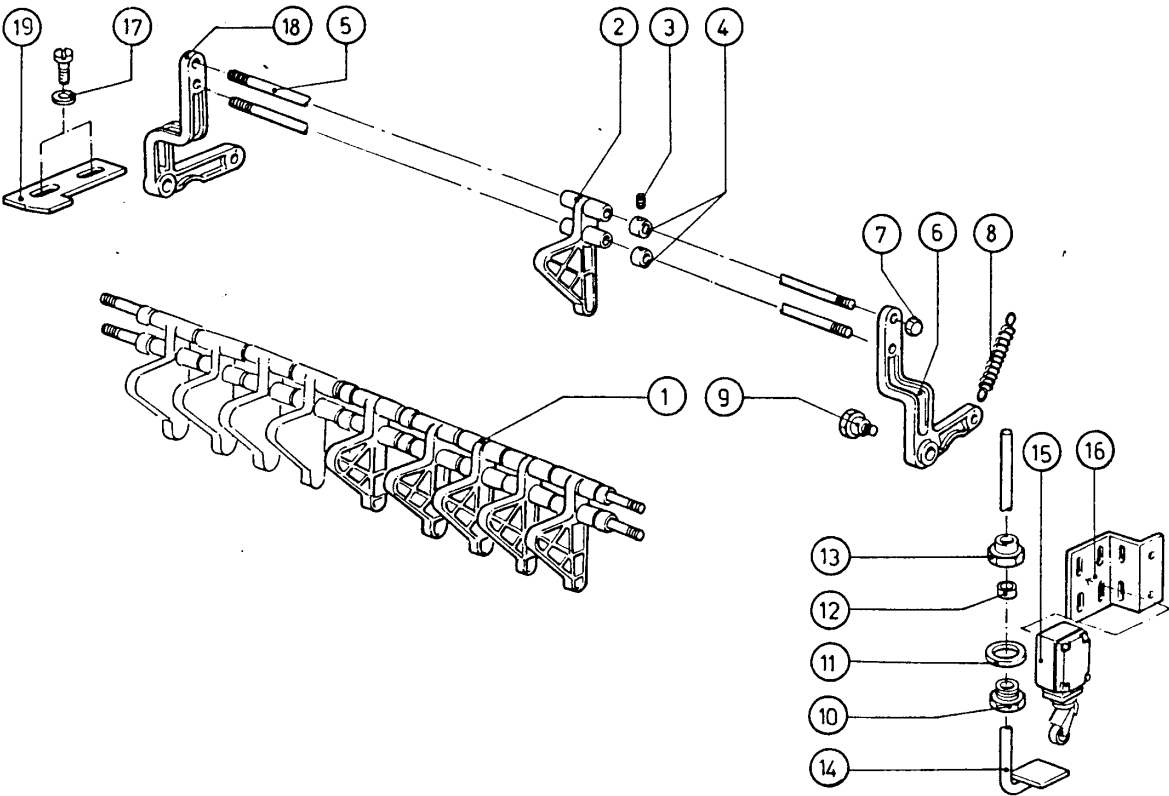
CODE	DESCRIPTION
190129	HANDLE SUPPORT SE NE GREY
320970	DOOR F. BRACKET CONTROL NE
320971	DOOR
331012	HANDLE 412 MM DOOR SE NE G115
340220	SUPPORT
340514	EXIT TABLE 1700 NE
340515	EXIT TABLE 2100 NE
340516	TABLE 1000 NE
340517	TABLE 1300 NE
340518	TABLE 1500
340519	TABLE
340520	TABLE 800
340606	PANEL
360201	COVER
390246	FRAME
391202	FRAME
391211	FRAME
391212	FRAME
391213	FRAME



6 - Drive unit

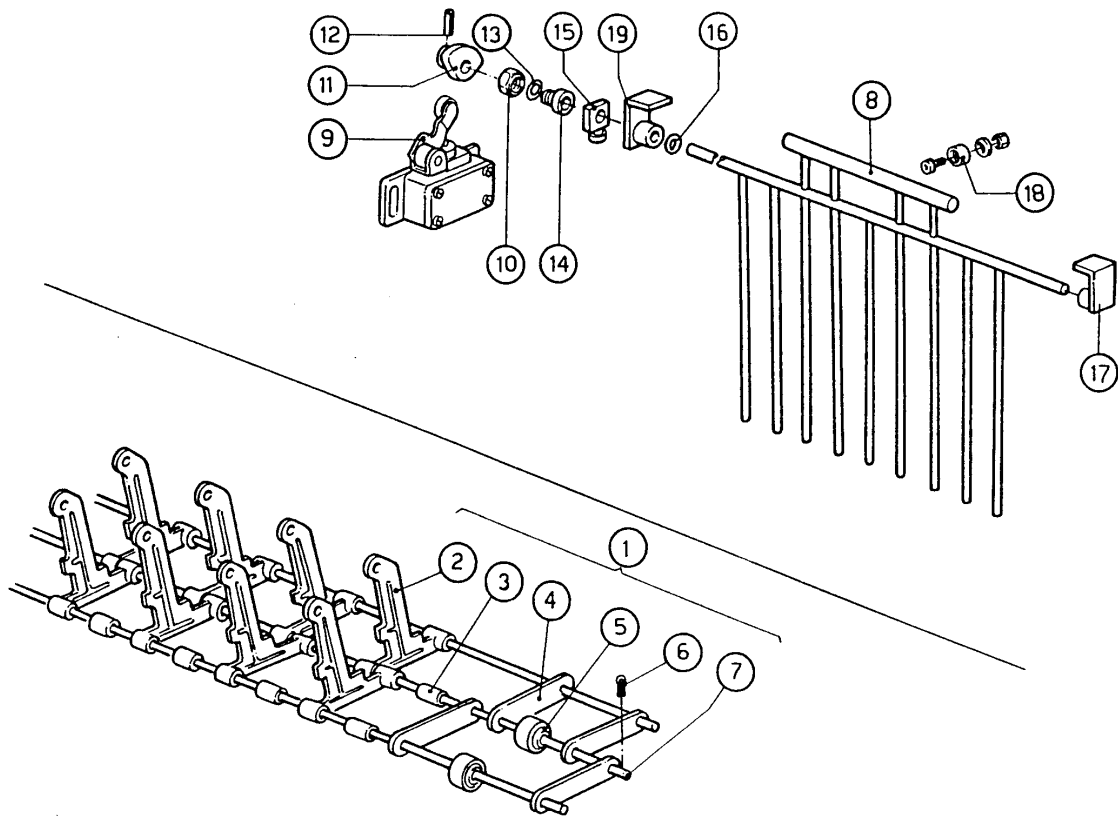
CODE	DESCRIPTION
100202	DRIVE MOTOR KW 0,18/0,3 380/3
180201	DRILLED FLANGE 85 /DRIVE
180202	BLIND FLANGE D.85 (DRIVE) N
200802	OR GASKET 3,53X44,05X51,11
330201	ROD FOR BELT ADJUSTING "N"
330906	FLANGE 100X100X45-94
340401	DRIVE SHAFT N
340402	IDLE SHAFTS N
381101	PLATE
390612	BRACKET
391003	SHORT PIN F.CHAIN TIGHTENER N-
391101	NICKEL-PLATED CHAIN TIGHTEN.RO
391104	CHAIN TENSER
410107	BEARINGS 9X24X7
410109	BEARINGS 17X40X12 6203
410110	BEARINGS 20X42X12 6004
410119	RADIAL BEARING 32X15X9
410200	.
410300	.
410306	GROUP CROWN-SPROCKET Z14/40
410401	NICKEL-PLATED TORQUE LIMITER L
410801	DRIVE CHAIN 1/2" N-S
410902	FALSE CHAIN LINK 1/2"
410903	CHAIN JOINT 1/2"
440102	WHEEL
440401	SEAL RING 19X31X6
440402	SEAL RING 20X30X5
440802	SEAL RING D.17 EXT.
440811	EXTERN.SEALING RING D.15 UNI 7
440815	INTERN.SEAL RING D.32
441122	DRIVE SHAFT KEY 6X6X25 UNI 660
450116	PLASTIC BAND MM.384X4,5
450203	STAINL.ST.MICRO SPRING D.10
451116	ELASTIC PIN 6X40
510229	DRIVE SHAFT SPROCKET
510249	NICKEL-PLATED BEARING F. SHAFT
510250	BEARING OF SHAFT N
510251	BEARING OF IDLE SHAFT N
620163	IDLE SHAFT N-SERIES

7 - Limit switch



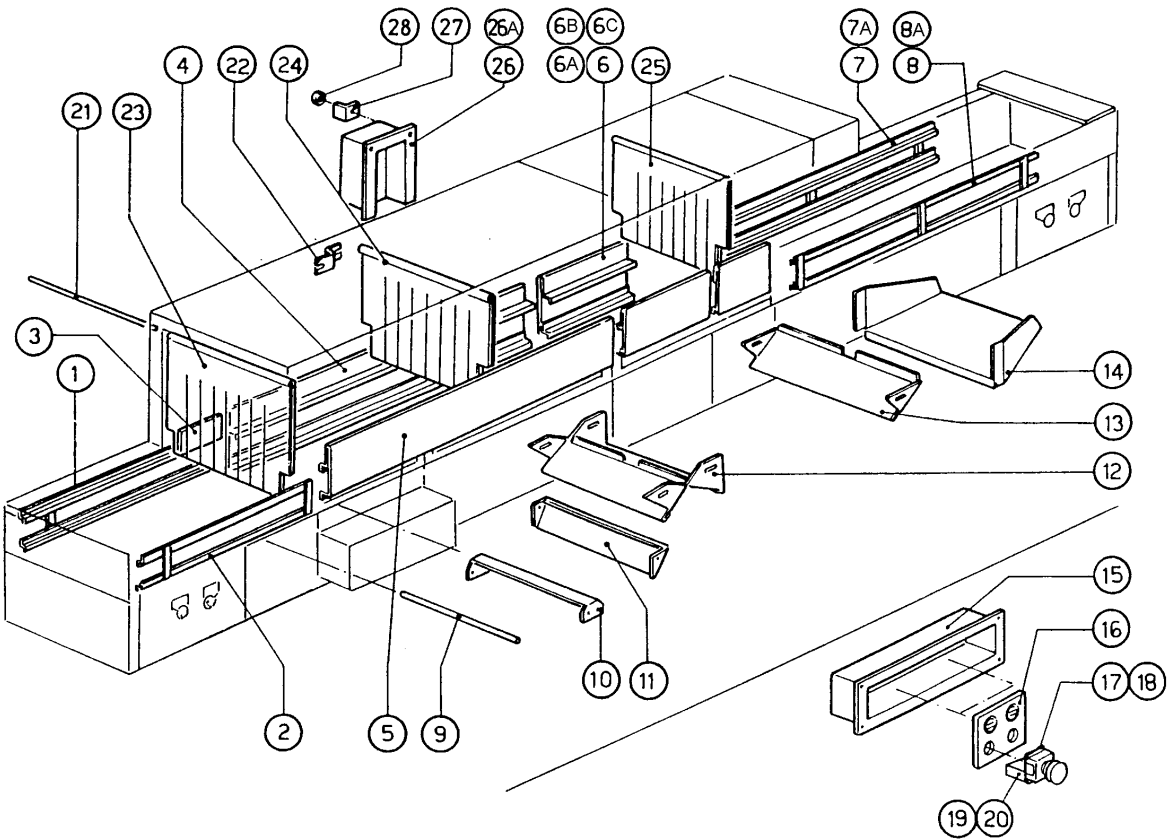
7 - Limit switch

CODE	DESCRIPTION
120326	MICRO SWITCH FD 102
170206	PEG N IN MOPL / END RUN ARM
200437	GASKET FOR END RUN ARM N GACO
280406	NICKEL-PLATED BUSH F.KNOCK OFF
290702	HEXAGON BLIND NUTS 8M H15
330203	ROD FOR MICRO CONTROL "N"
330212	TIE ROD F. END RUN ARM N
330828	STIFF.SPACERS FOR END RUN ARM
340434	CRANK HEAD PIN
350770	BRACKET F.MICRO /NOCK OFF GATE
350774	BRACKET
370301	CONVEYOR END RUN ARM N
380109	THREADED BUSH 1/2" KNOCK OFF G
381301	WASHER D.25
450213	STAINL.ST SPRING D.10 LIMIT SW
451118	ELASTIC PIN 4X40
460502	GASKET 30X21X2
510224	RIGHT SUPPORT LEVER F.END RUN
510225	LEFT SUPPORT LEVER F.END RUN



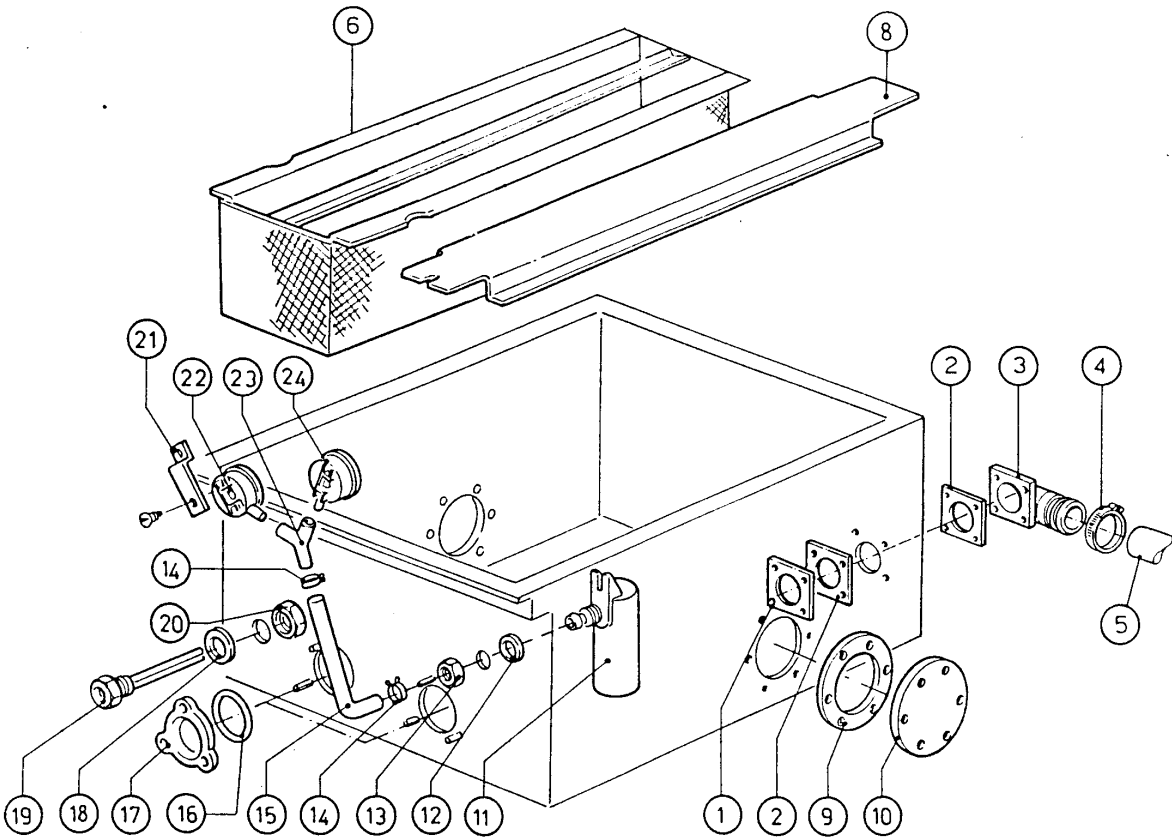
8 - Economiser + Conveyor

CODE	DESCRIPTION
120305	MICRO SWITCH WITH LEVER
160501	SPACER FLIGHT D.9X25 CONVEYOR
170204	GRAY FINGER FOR BELT N
170314	GRAY BELTWHEEL N
200809	OR GASKET 1,78X8,73X12,29
210202	RUBBER FOOT GLASSWASHER
270101	HEXAGON LOCK NUT 1/2"
330105	LINKS 2 FOR BELT NST.88
340405	SHAFT FOR BELTN D.8X611
341328	SUPPORT (341846)
341329	SUPPORT (341846)
370201	RINSE ECONOMISER GATE N
380110	BRASS BEARING D12 F.ECON.N
381001	LOCKING NUT FOR ECONOMIZER N
451002	COTTER PIN STAINL.ST. D2X12
451102	RINSE GATE PIN 3X26
460502	GASKET 30X21X2
510216	N RINSE GATE ECCENTRE
620161	COMPL.SHAFT FOR BELT N

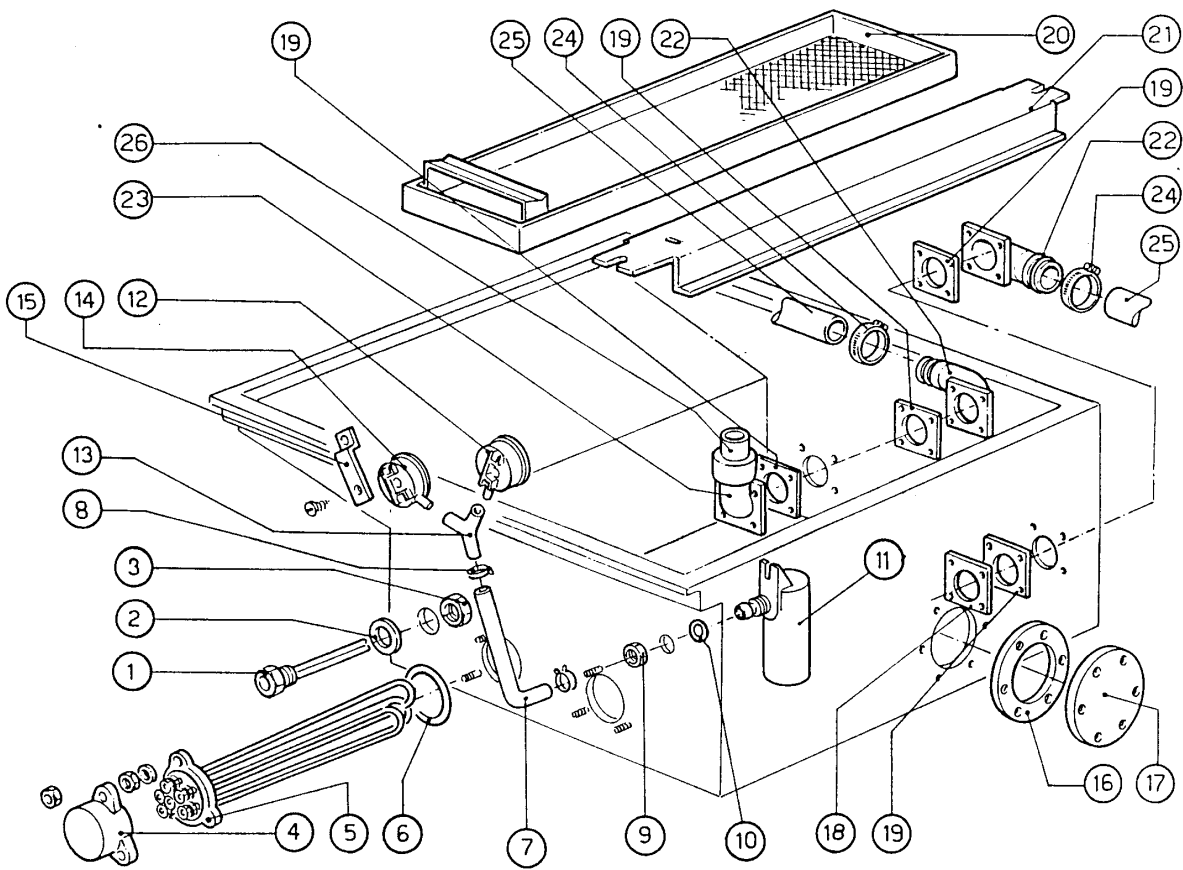


9 - Guides+ curtains

CODE	DESCRIPTION
130410	STOP CONTACT F40 CN RED
130411	START CONTACT YELLOW
130413	GREEN PUSH BUTTON
130426	STOP PUSH BUTTON RED RM050RCM
161111	BACK COVER CHANNEL 130 N S2900
161112	BACK COVER CHANNEL 300 S N
161203	PLASTIC CUP FOR SWITCH PROTECT
190909	ANTI SPLASH CURTAIN (ENTRY)690
190910	ANTI SPLASH CURTAIN (MIDDLE)69
190914	ECORINSE CURTAINS NE-690X270
260412	SELF-LOCKING NUT M6
320811	PREWASH 600 NE GUIDE
320819	RINSE 400 NE GUIDE
320820	WASH 1000 GUIDE
320823	GUIDE
320824	GUIDE
320825	GUIDE
320826	GUIDE
320827	GUIDE
320828	GUIDE
320829	GUIDE
321008	SUPPORT
321725	GUIDE
321726	GUIDE
321727	GUIDE
330401	SPARTIACQ.SEMPL.VASCA NE BTM
330404	-SPARTIACQUA VASC.LAVAGG.N NE
330405	SPARTIACQUA
330408	SCIVOLO
330715	UPPER BRACKET CURTAIN SNL-SE
340407	SPACER-SHAFT F. GUIDES N
341210	CURTAIN SHAFTS N 2S GM
350781	BRACKET
460789	PLATE

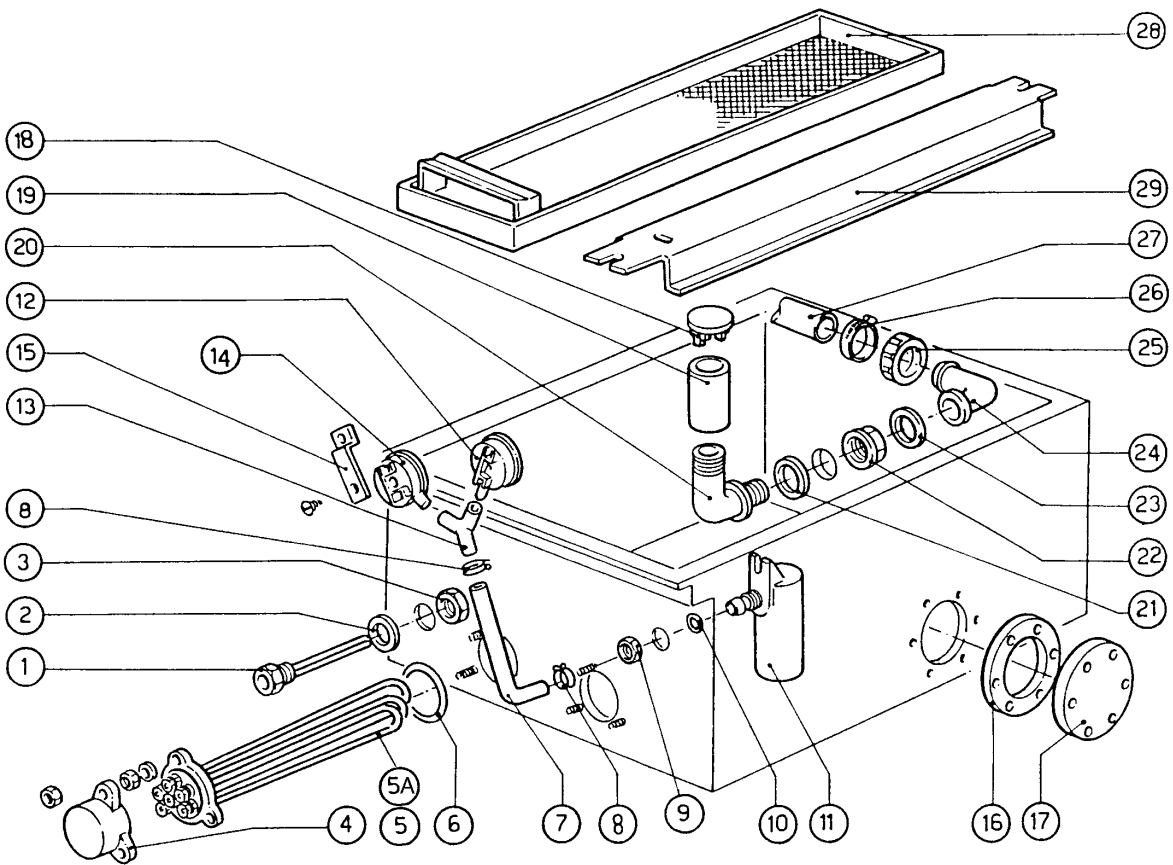


CODE	DESCRIPTION
130605	PRESSURE SWITCH 50-30 1 LEVEL
130609	1 LEVEL PRESSURE SWITCH 110-70
161301	AIR TRAP F2 C34-F45
180222	FLANGE F.CLOSING PUMP HOLE N 2
190314	Y-NIPPLE OF PRESS.SWITCH N 2S
200116	RUBBER HOSE 60X70
200353	PRESS.SWITCH HOSE B23-10-1-2-C
200405	GASKET 110X100X63 IN NEOTEN
200406	GASKET 130X70X2 IN NEOTEN
200415	AIR TRAP GASKET -F2 18,5X10X3
200815	O-RING F. HEAT.ELEM.
260407	STAINLESS STEEL NUTS D10 UNI 5
260608	CONNECTION0
270101	HEXAGON LOCK NUT 1/2"
321047	GUIDE
330562	FILTER DRAWER PRE-WASH.NE
330910	FLANGE
330921	FLANGE 100X100X61-110
350774	BRACKET
450119	CLAMP FE ZN. 58-75 H=12,2
450125	ELASTIC CLAMP D. 10,4X9,8
450516	THERMOSTAT SHIELD FOR 2 TERMOS
460502	GASKET 30X21X2



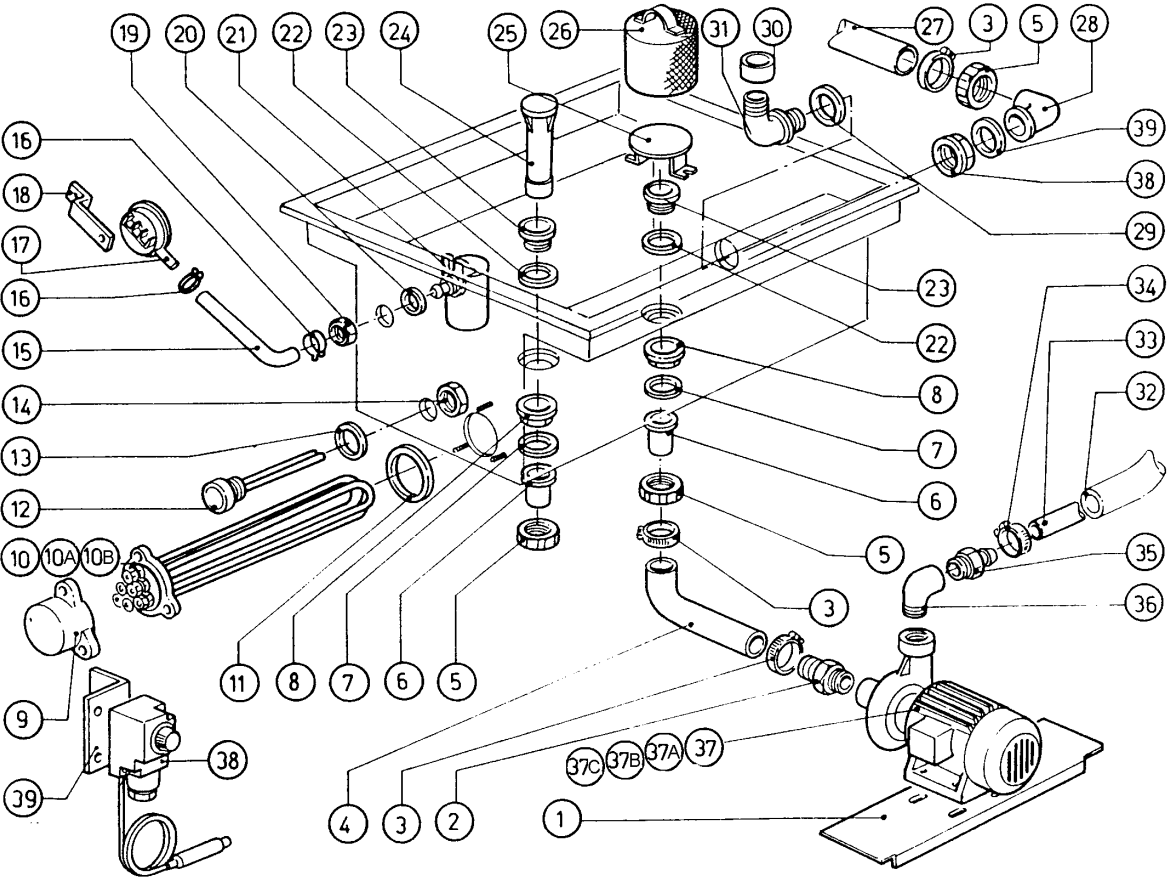
11 - Wash

CODE	DESCRIPTION
110379	HET.ELEM 12500W (110367)
130605	PRESSURE SWITCH 50-30 1 LEVEL
130609	1 LEVEL PRESSURE SWITCH 110-70
161102	ELEMENT COVER MOPL.
161301	AIR TRAP F2 C34-F45
180222	FLANGE F.CLOSING PUMP HOLE N 2
190314	Y-NIPPLE OF PRESS.SWITCH N 2S
200116	RUBBER HOSE 60X70
200353	PRESS.SWITCH HOSE B23-10-1-2-C
200405	GASKET 110X100X63 IN NEOTEN
200406	GASKET 130X70X2 IN NEOTEN
200415	AIR TRAP GASKET -F2 18,5X10X3
200815	O-RING F. HEAT.ELEM.
260407	STAINLESS STEEL NUTS D10 UNI 5
260607	ELBOW FOR NE TANK
260608	CONNECTION0
270101	HEXAGON LOCK NUT 1/2"
321048	GUIDE
330508	FILTER FOR WASHING + ECORINSE
330921	FLANGE 100X100X61-110
331540	TUBE
350774	BRACKET
450119	CLAMP FE ZN. 58-75 H=12,2
450125	ELASTIC CLAMP D. 10,4X9,8
450516	THERMOSTAT SHIELD FOR 2 TERMOS
460502	GASKET 30X21X2



12 - Prerinse

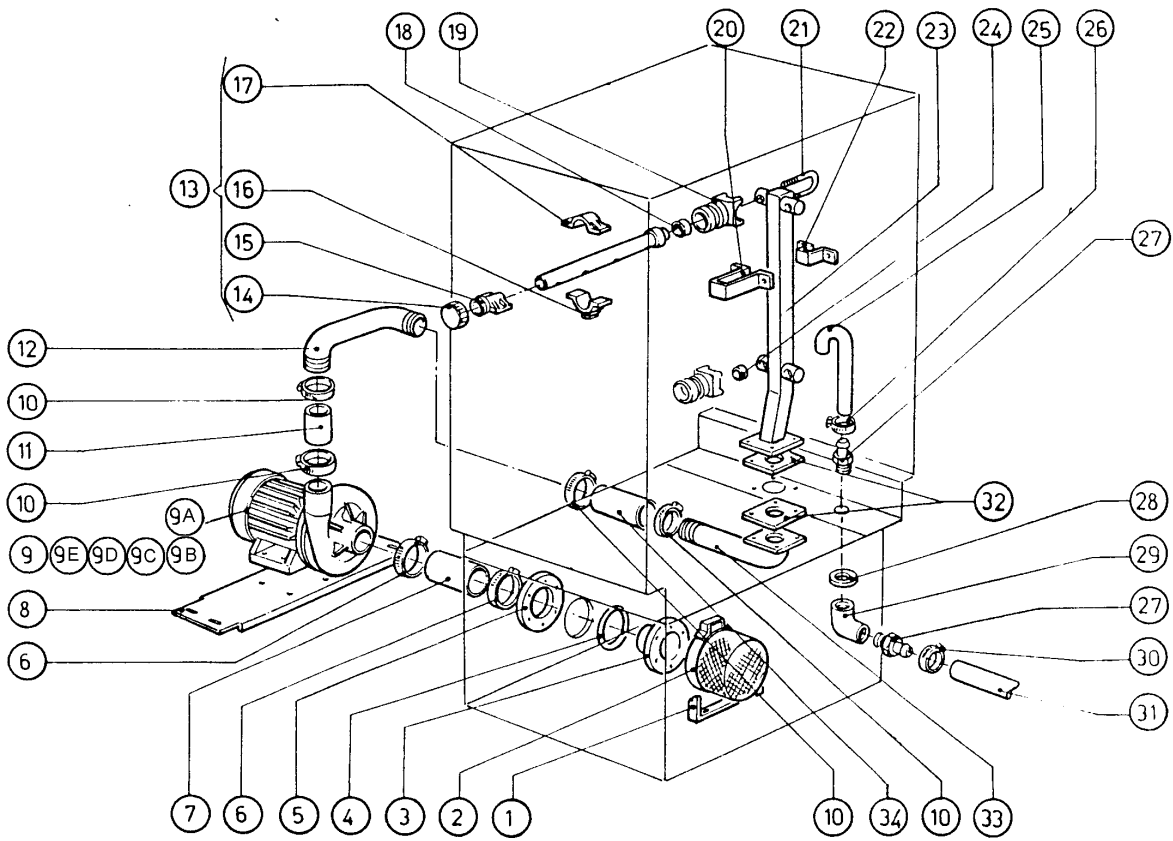
CODE	DESCRIPTION
110362	HEAT.ELEMENT 9000W 220/380V
110379	HET.ELEM 12500W (110367)
130605	PRESSURE SWITCH 50-30 1 LEVEL
130609	1 LEVEL PRESSURE SWITCH 110-70
160116	ADJ.OVERFLOW PIPE N 2S
160203	ELBOW 1"1/2 N-S-F-C /DRAIN
161102	ELEMENT COVER MOPL.
161301	AIR TRAP F2 C34-F45
180102	DRAIN PIPE NUT 1"1/2 F45-55
180109	LOCK NUT 1 1/2"
180222	FLANGE F.CLOSING PUMP HOLE N 2
190314	Y-NIPPLE OF PRESS.SWITCH N 2S
190322	OVERFLOW TWIN THREADED NIPPLE
200120	RUBBER HOSE 35X48
200353	PRESS.SWITCH HOSE B23-10-1-2-C
200406	GASKET 130X70X2 IN NEOTEN
200410	DRAIN OUTL.WASH.1 1/2"65X47X2
200412	GASKET DRAIN 11/2" 45X33X3
200415	AIR TRAP GASKET -F2 18,5X10X3
200815	O-RING F. HEAT.ELEM.
260407	STAINLESS STEEL NUTS D10 UNI 5
270101	HEXAGON LOCK NUT 1/2"
321049	CROSS PART F.FILTER SUPP.PRERI
321618	SPLASH GUARD FOR N 2S
330508	FILTER FOR WASHING + ECORINSE
350774	BRACKET
450107	CLAMP FE ZN 38-50 H=12,2
450125	ELASTIC CLAMP D. 10,4X9,8
450516	THERMOSTAT SHIELD FOR 2 TERMOS
460502	GASKET 30X21X2



13 - ecorinse tank components

CODE	DESCRIPTION
100647	PUMP HP 0,20 220/240/3 4226
100648	PUMP HP 0,125 415/3 50HZ C16
100669	PUMP HP 0,12 220/380 60HZ C16
100670	PUMP HP 0,125 F 440/3/60HZ
110331	HEAT.ELEMENT 4200W 230/400V
110349	HEAT.ELEMENT 6000W 230/400V
110371	HEAT.ELEMENT 5000W 220/380V
120515	THERMOSTAT 0-90°C
130605	PRESSURE SWITCH 50-30 1 LEVEL
160114	ADJUST.OVERFLOW-PIPE/TANKS S3Ø
160201	ELBOW F.TANK INLET MOPLN
160203	ELBOW 1"1/2 N-S-F-C /DRAIN
160301	DRAIN OUTLET 1"1/2 C-S-N
161102	ELEMENT COVER MOPL.
161303	AIR TRAP GLASSWASHER
180102	DRAIN PIPE NUT 1"1/2 F45-55
180109	LOCK NUT 1 1/2"
180708	OVERFLOW STANDPIPE H189 C85-14
190322	OVERFLOW TWIN THREADED NIPPLE
200113	RUBBER HOSE 12 X 22
200120	RUBBER HOSE 35X48
200306	INLET HOSE 42X52 ECORINSE-DRAI
200353	PRESS.SWITCH HOSE B23-10-1-2-C
200410	DRAIN OUTL.WASH.1 1/2"65X47X2
200412	GASKET DRAIN 11/2" 45X33X3
200415	AIR TRAP GASKET -F2 18,5X10X3
200815	O-RING F. HEAT.ELEM.
260407	STAINLESS STEEL NUTS D10 UNI 5
270101	HEXAGON LOCK NUT 1/2"
280115	ELL 1/2"
280503	CONNECTIO FOR ECORINSE PUMP
290410	NIPPLE 1/2"
320130	VORTEX BREAKER FOR ECORINSE PU
330566	FILTER 110 FOR ECORINSE TANK
350737	BRACKET FOR CLOSED THERMOSTATS
350774	BRACKET
390631	BRACKET
450104	CLAMP FE ZN H=12,5 15-24
450107	CLAMP FE ZN 38-50 H=12,2
450125	ELASTIC CLAMP D. 10,4X9,8
450516	THERMOSTAT SHIELD FOR 2 TERMOS
460502	GASKET 30X21X2
700813	-GUAINE ISOL.POLISOLAN-700808

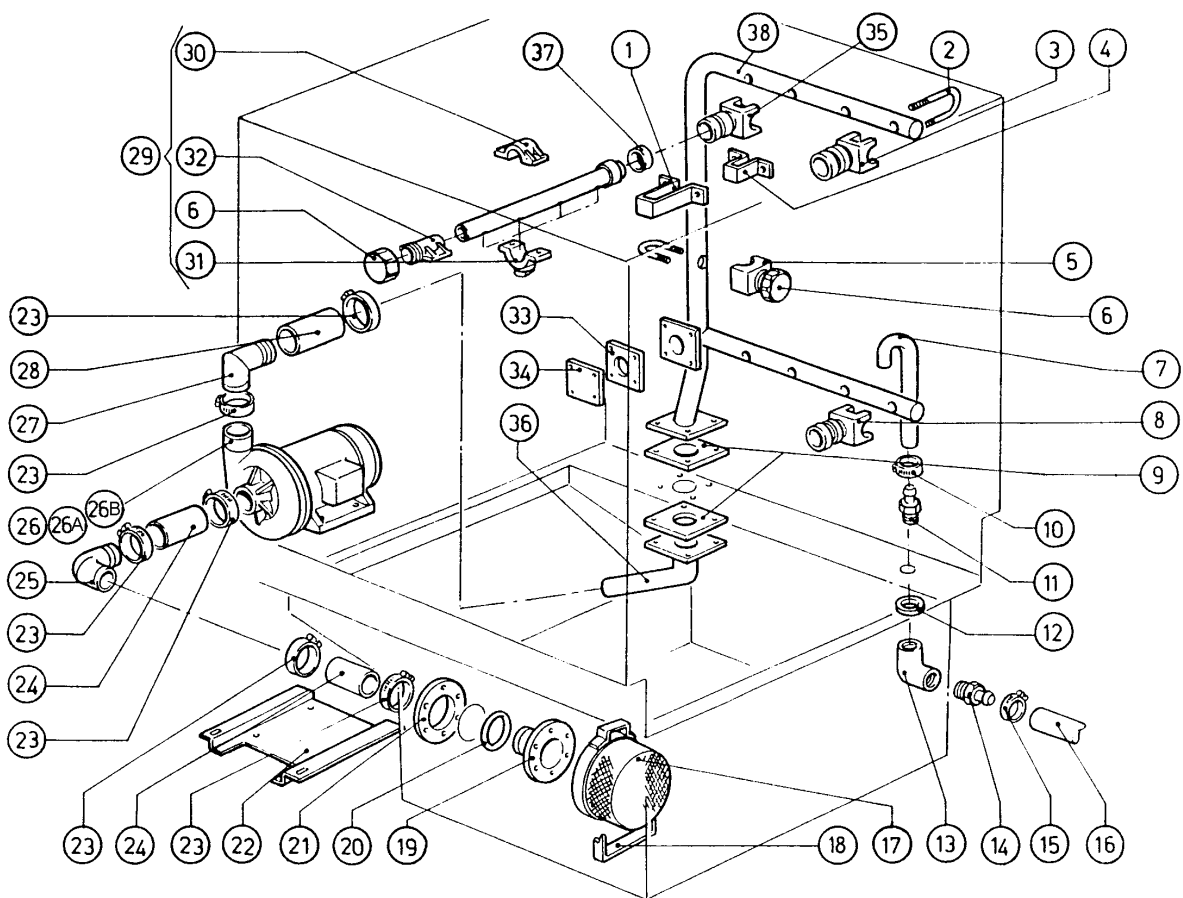
14 - Prewash Column



14 - Prewash Column

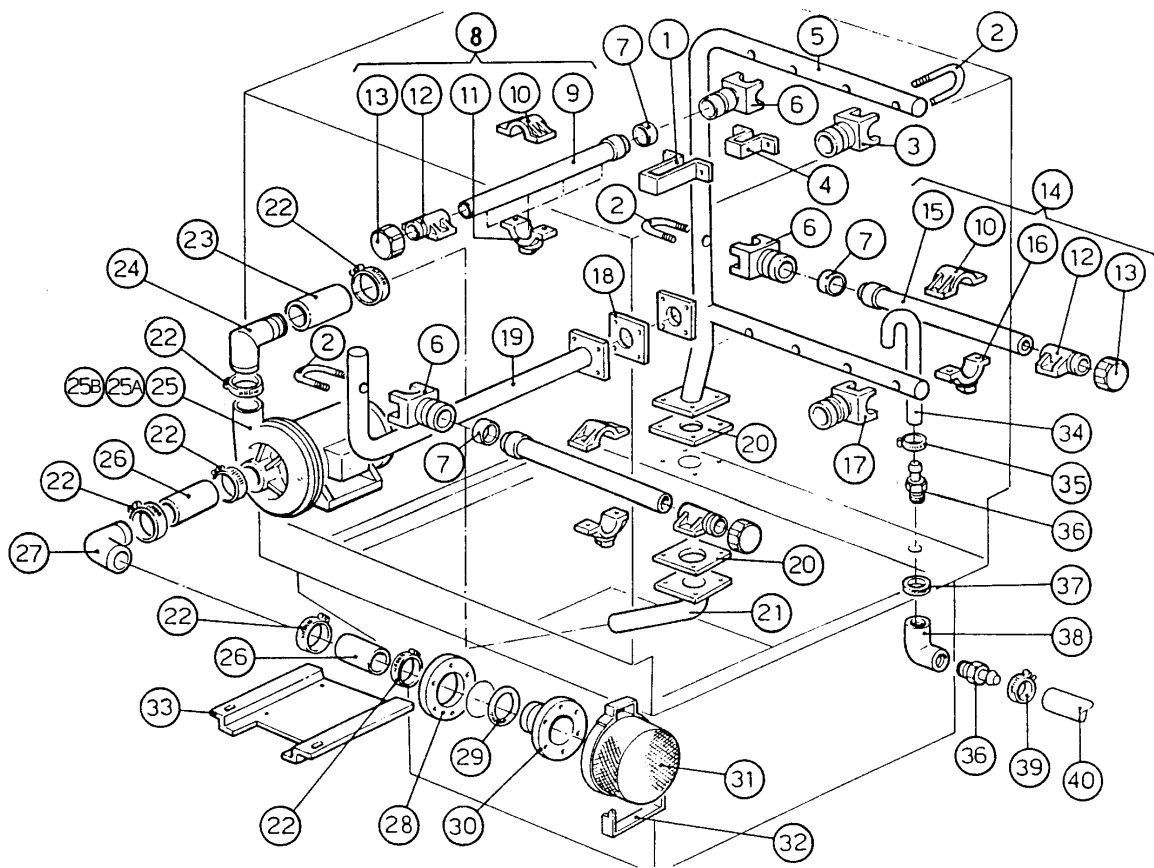
CODE	DESCRIPTION
100306	PUMP HP 2 115/200/60HZ-1204
100337	PUMP HP2 440/3 50HZ-1204
100380	PUMP HP2 415/3-1204 (100361)
100605	PUMP HP 2 380/3/60HZ 1204
100613	PUMP HP 2 440/3/60HZ 1204
100693	PUMP HP 2 220/380V-50HZ1204
160724	PLUG F. WASH ARM S90
170910	AXIAL WASH JET
180204	COUNTERFLANGE D.130 SUCTION N
180207	SUCTION FLANGE C33/34
180211	COUNTERFLANGE - WASH JET S-N
180221	COUNTERFLANGE F.WASH ARMS PLUG
190127	CENTR. WASH ARM SUPPORT SE
190623	RESTR.D.14 MOPL.S 3ØS PREWAS/P
200105	RUBBER HOSE 50X60
200113	RUBBER HOSE 12 X 22
200301	HOSE FOR TANK INLET N-S
200315	OUTLET HOSE C34-35
200318	INLET HOSE 64X76 C34 SE
200405	GASKET 110X100X63 IN NEOTEN
200463	GASKET PRE-WASH/WASH SHORE 45/
200807	O-RING 3,53 X 110,72
280101	CRANK F.F 1/2"
290410	NIPPLE 1/2"
330218	TIE ROD SE-NE WASH ARM SUPPORT
330550	INLET FILTER D.185X80 N
331374	DELIVERY ELBOW PREWASH N
331381	PREWASH-PRERINSE KIT
331395	PREWASH PUMP OUTLET HOSE
350758	BRACKET
350771	BRACKET
350780	BRACKET
390631	BRACKET
420154	WASH ARM NE COMPL.
450101	STAINLESS STEEL CLAMP 15-24 H=
450104	CLAMP FE ZN H=12,5 15-24
450109	CLAMP 50-65
450119	CLAMP FE ZN. 58-75 H=12,2
460502	GASKET 30X21X2

15 - Wash Column



15 - Wash Column

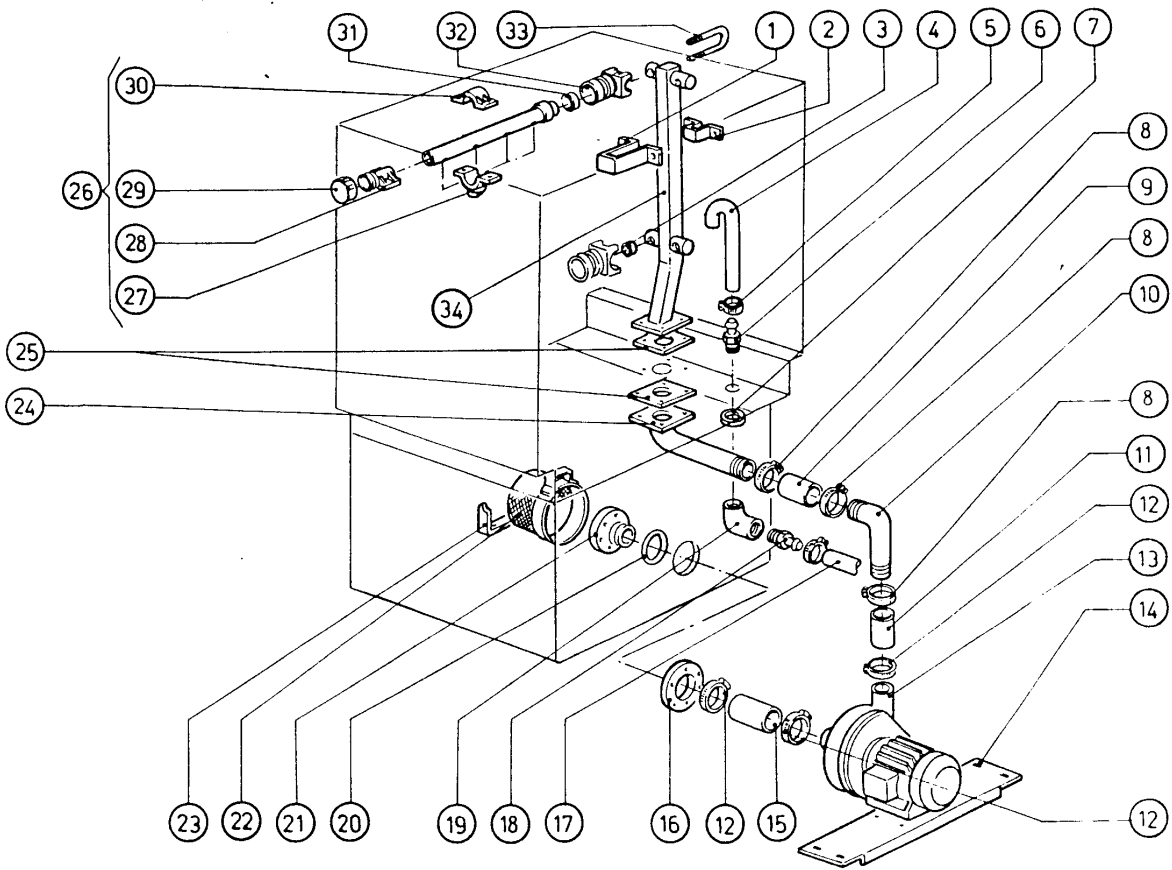
CODE	DESCRIPTION
100398	PUMP HP 3,7 220/380/50-2275
100633	PUMP HP 0,37 (100398)
100638	PUMP HP 3,7 220/380/3-60 1275
160724	PLUG F. WASH ARM S90
170910	AXIAL WASH JET
180204	COUNTERFLANGE D.130 SUCTION N
180207	SUCTION FLANGE C33/34
180211	COUNTERFLANGE - WASH JET S-N
180221	COUNTERFLANGE F.WASH ARMS PLUG
180230	FLANGE F. CLOSING WASH COLUMN
190125	LEFT WASHARM SUPPORT SE
190126	RIGHT WASH ARM SUPPORT SE
190127	CENTR. WASH ARM SUPPORT SE
200113	RUBBER HOSE 12 X 22
200116	RUBBER HOSE 60X70
200118	HOSE 12X18
200301	HOSE FOR TANK INLET N-S
200405	GASKET 110X100X63 IN NEOTEN
200463	GASKET PRE-WASH/WASH SHORE 45/
200468	GASKET 70X70X3 NEOTEN NE
200807	O-RING 3,53 X 110,72
280101	CRANK F.F 1/2"
290410	NIPPLE 1/2"
320654	BRACKET
330218	TIE ROD SE-NE WASH ARM SUPPORT
330550	INLET FILTER D.185X80 N
330789	BRACKET
331371	N WASH INLET ELBOW
331372	DELIVERY ELBOW N - LEFT
331519	WASH COLUMN (331606)
350758	BRACKET
350771	BRACKET
400315	FLANGE FOR PIPE ASSY. C95-C155
400572	INLET TUBE WASHING S 3ØSER.
420154	WASH ARM NE COMPL.
450101	STAINLESS STEEL CLAMP 15-24 H=
450104	CLAMP FE ZN H=12,5 15-24
450119	CLAMP FE ZN. 58-75 H=12,2
460502	GASKET 30X21X2



16 - Wash Column

CODE	DESCRIPTION
100398	PUMP HP 3,7 220/380/50-2275
100633	PUMP HP 0,37 (100398)
100638	PUMP HP 3,7 220/380/3-60 1275
160724	PLUG F. WASH ARM S90
170909	TRANSVERS. WASH NOZZLE
170910	AXIAL WASH JET
180204	COUNTERFLANGE D.130 SUCTION N
180207	SUCTION FLANGE C33/34
180211	COUNTERFLANGE - WASH JET S-N
190125	LEFT WASHARM SUPPORT SE
190126	RIGHT WASH ARM SUPPORT SE
190127	CENTR. WASH ARM SUPPORT SE
200113	RUBBER HOSE 12 X 22
200116	RUBBER HOSE 60X70
200118	HOSE 12X18
200301	HOSE FOR TANK INLET N-S
200405	GASKET 110X100X63 IN NEOTEN
200463	GASKET PRE-WASH/WASH SHORE 45/
200468	GASKET 70X70X3 NEOTEN NE
200807	O-RING 3,53 X 110,72
280101	CRANK F.F 1/2"
290410	NIPPLE 1/2"
320654	BRACKET
330218	TIE ROD SE-NE WASH ARM SUPPORT
330550	INLET FILTER D.185X80 N
330789	BRACKET
331371	N WASH INLET ELBOW
331372	DELIVERY ELBOW N - LEFT
331519	WASH COLUMN (331606)
331523	HOSE
350758	BRACKET
350771	BRACKET
400572	INLET TUBE WASHING S 3ØSER.
420153	WASH ARM
420154	WASH ARM NE COMPL.
420155	SIDE WASH ARM NE COMPL
450101	STAINLESS STEEL CLAMP 15-24 H=
450104	CLAMP FE ZN H=12,5 15-24
450119	CLAMP FE ZN. 58-75 H=12,2
460502	GASKET 30X21X2

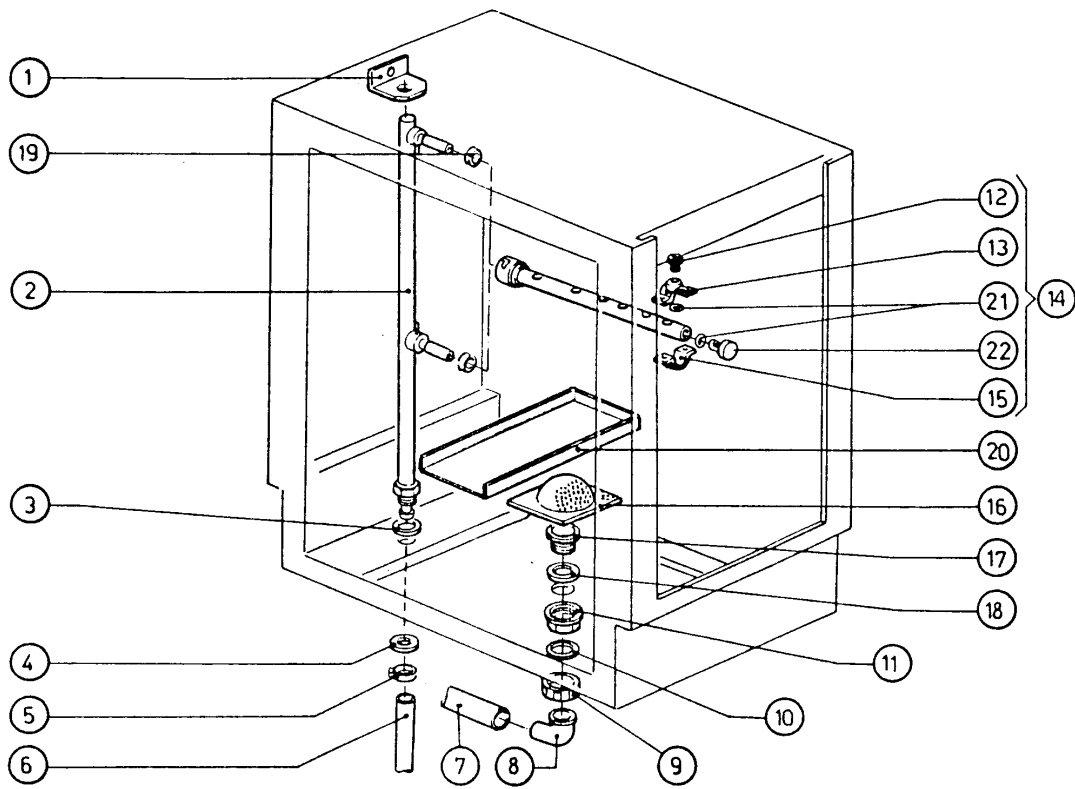
17 - Prerinse assembly



17 - Prerinse assembly

CODE	DESCRIPTION
100693	PUMP HP 2 220/380V-50HZ1204
160724	PLUG F. WASH ARM S90
170910	AXIAL WASH JET
180204	COUNTERFLANGE D.130 SUCTION N
180207	SUCTION FLANGE C33/34
180211	COUNTERFLANGE - WASH JET S-N
180221	COUNTERFLANGE F.WASH ARMS PLUG
190127	CENTR. WASH ARM SUPPORT SE
190623	RESTR.D.14 MOPL.S 3ØS PREWAS/P
200105	RUBBER HOSE 50X60
200113	RUBBER HOSE 12 X 22
200301	HOSE FOR TANK INLET N-S
200315	OUTLET HOSE C34-35
200318	INLET HOSE 64X76 C34 SE
200405	GASKET 110X100X63 IN NEOTEN
200463	GASKET PRE-WASH/WASH SHORE 45/
200807	O-RING 3,53 X 110,72
280101	CRANK F.F 1/2"
290410	NIPPLE 1/2"
330218	TIE ROD SE-NE WASH ARM SUPPORT
330550	INLET FILTER D.185X80 N
331373	DELIVERY ELBOW PREWASH NE - SH
331374	DELIVERY ELBOW PREWASH N
331780	BRACKET FOR MICRO SWITCH
350758	BRACKET
350771	BRACKET
350780	BRACKET
390631	BRACKET
420154	WASH ARM NE COMPL.
450101	STAINLESS STEEL CLAMP 15-24 H=
450109	CLAMP 50-65
450119	CLAMP FE ZN. 58-75 H=12,2
460502	GASKET 30X21X2

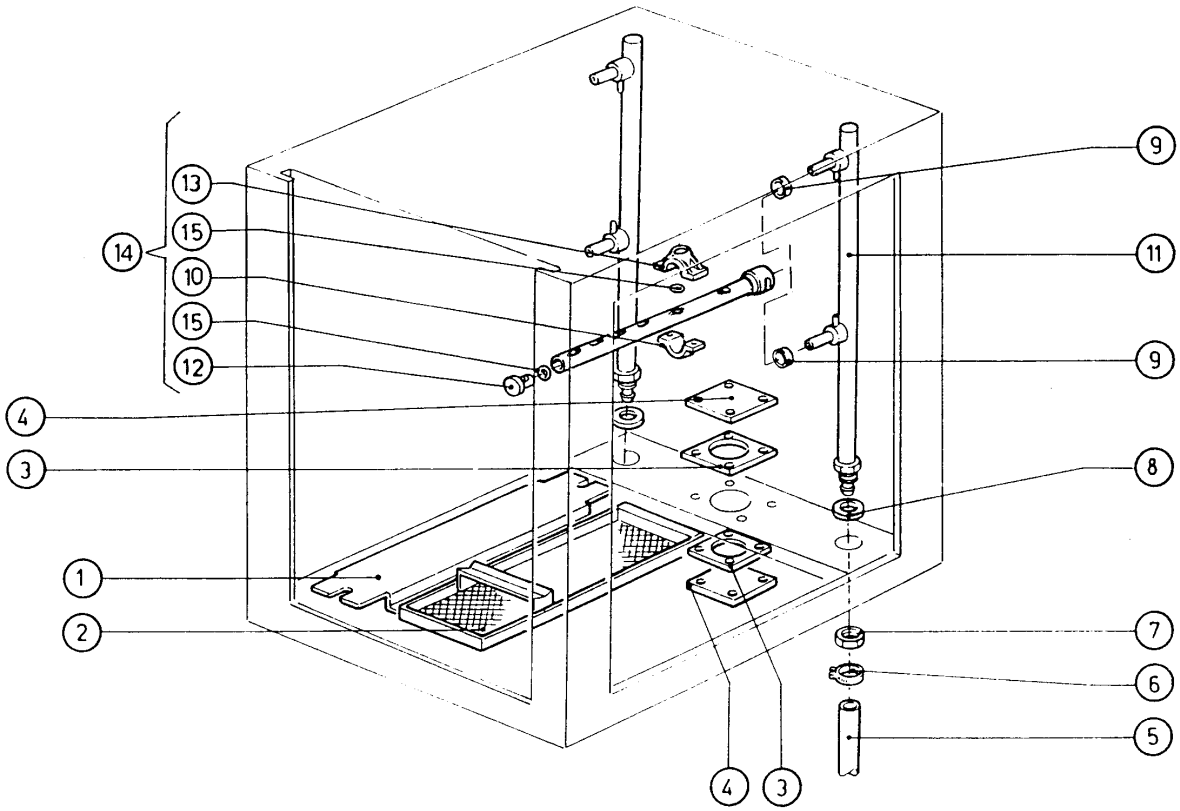
18 - Rinse assembly



18 - Rinse assembly

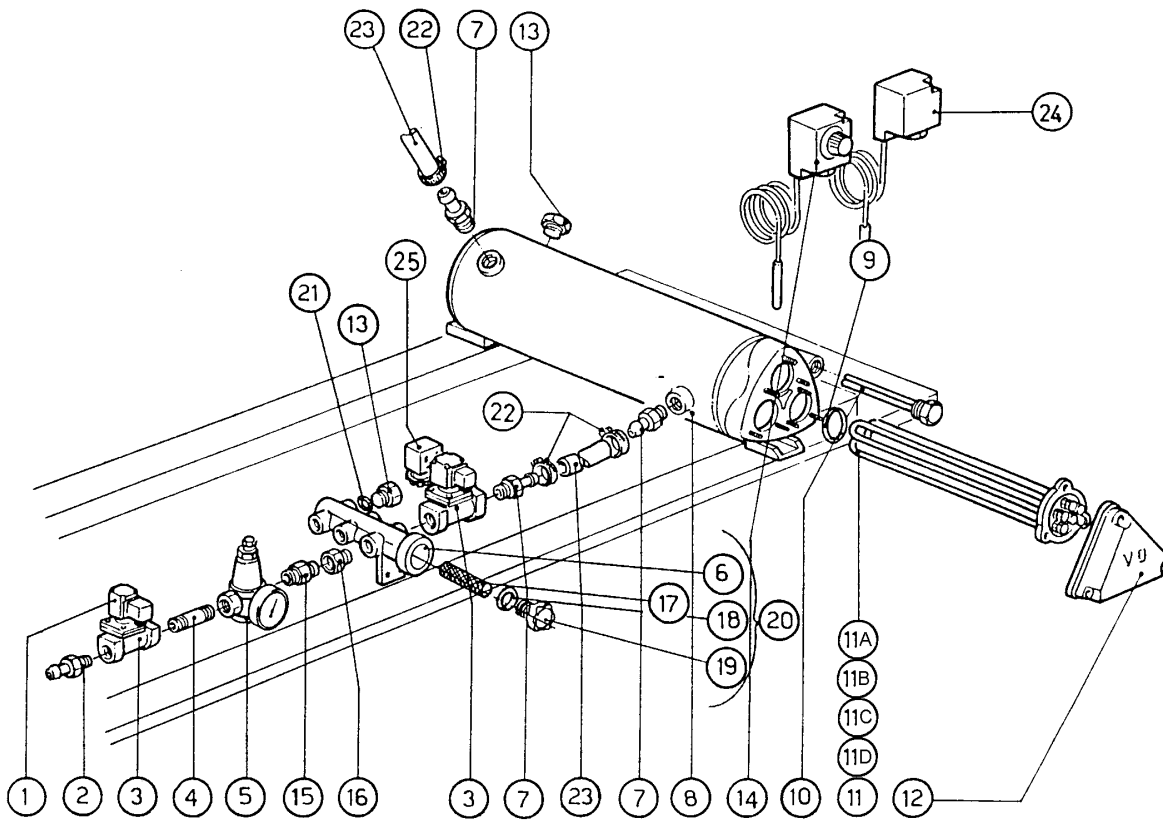
CODE	DESCRIPTION
160203	ELBOW 1"1/2 N-S-F-C /DRAIN
160301	DRAIN OUTLET 1"1/2 C-S-N
160754	PLUG FOR RINSE ARMS SE NE
170926	RINSE JET HOLDER S-SE-NE
180102	DRAIN PIPE NUT 1"1/2 F45-55
180109	LOCK NUT 1 1/2"
180213	FLANGE F.JET LOCKING F2-C34
200113	RUBBER HOSE 12 X 22
200120	RUBBER HOSE 35X48
200410	DRAIN OUTL.WASH.1 1/2"65X47X2
200412	GASKET DRAIN 11/2" 45X33X3
200480	GASKET F. RINSE CONNECT.
200824	O-RING 1,78X12,42X15,98
270107	BRASS LOCK NUT 3/8" FL803
330406	DEFLECTOR FOR RINSE
330547	FILTER F.TANK DRAIN NE/NG BTM
330707	-SQUADR.COLONNA RISC.N
380324	RINSE JETS 52,5 80Ø OV1/8"
430134	RINSE ARM WITH CONNECTION NE
430414	RINSE ARM SUPPORT WITH CONNECT
450105	CLAMP FE ZN. 26-38 H=12,2
460502	GASKET 30X21X2

19 - Ecorinse Assembly



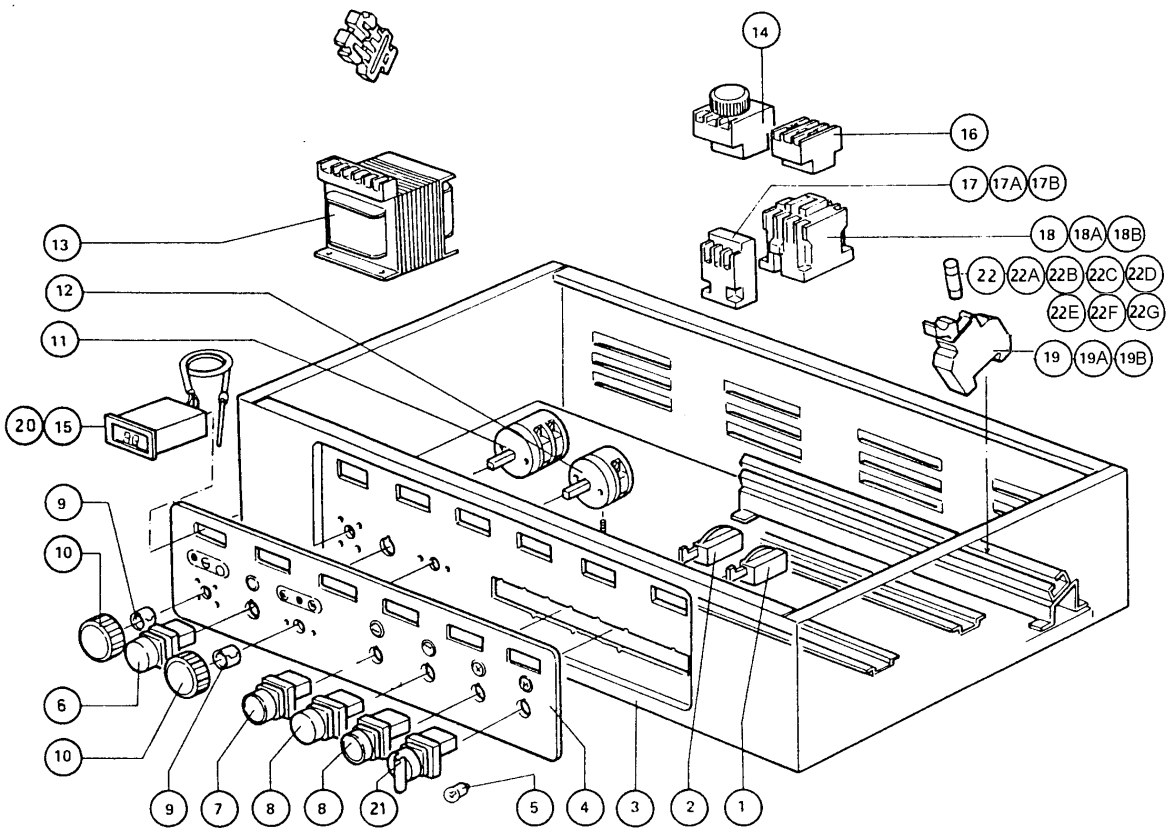
19 - Ecorinse Assembly

CODE	DESCRIPTION
160754	PLUG FOR RINSE ARMS SE NE
170954	JET FOR ECORINSE ARM
180213	FLANGE F.JET LOCKING F2-C34
200113	RUBBER HOSE 12 X 22
200405	GASKET 110X100X63 IN NEOTEN
200480	GASKET F. RINSE CONNECT.
200824	O-RING 1,78X12,42X15,98
270101	HEXAGON LOCK NUT 1/2"
321061	SUPPORT
330508	FILTER FOR WASHING + ECORINSE
330928	FLANGE
430138	ECORINSE ARM NE
430414	RINSE ARM SUPPORT WITH CONNECT
450104	CLAMP FE ZN H=12,5 15-24
460502	GASKET 30X21X2



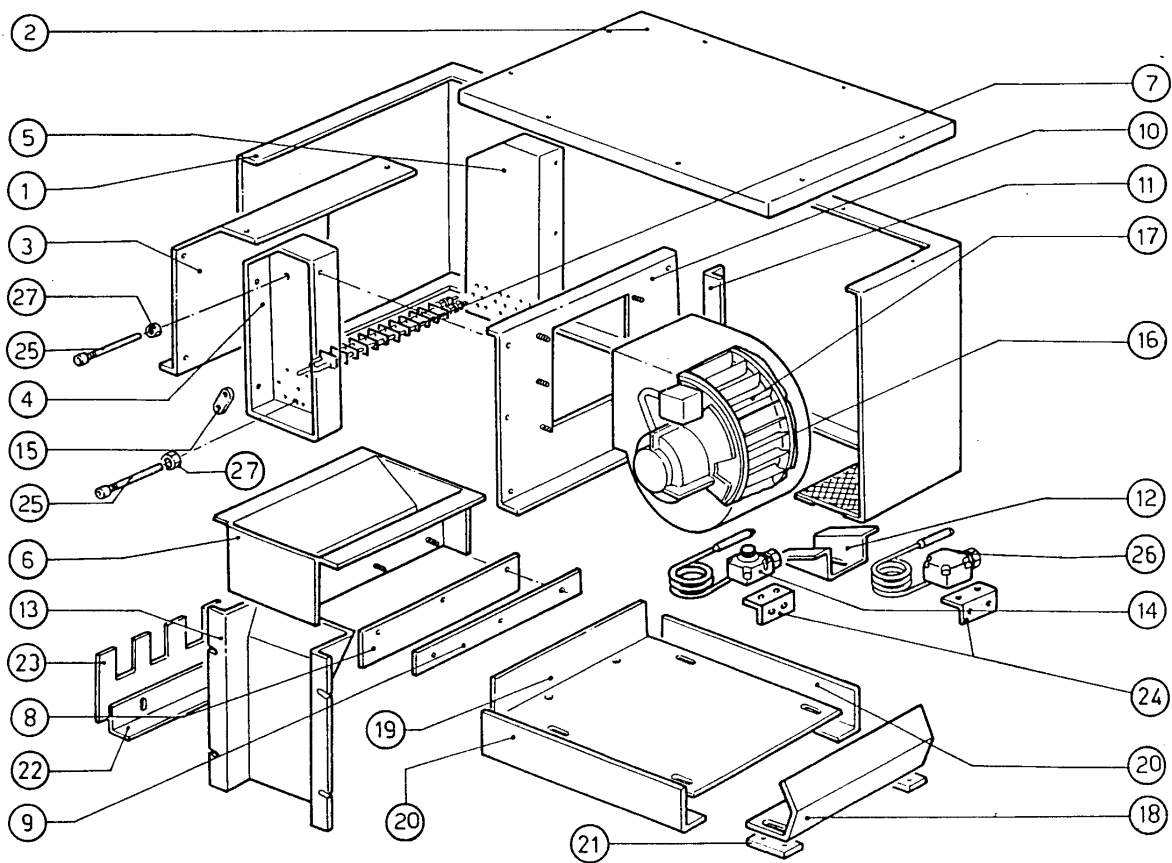
20 - Boiler-Kaltwasserzulauf

CODE	DESCRIPTION
110331	HEAT.ELEMENT 4200W 230/400V
110343	HEAT.ELEM. 8000W 220/380V
110349	HEAT.ELEMENT 6000W 230/400V
110362	HEAT.ELEMENT 9000W 220/380V
110367	HEAT.ELEMENT 12500W 230/400V
120131	SOLEN. L182Q31-ZB10A 1/2"24V
120512	THERMOSTAT IM50/210Ø
120520	SECURITY THERMOSTAT 110-130Ø
150034	CONNEC.F.SOLEN.VALVE 122.09.N
160709	KNOB OF MANIFOLD F. SOLEN. VAL
161113	ELMENT COVER BLACK
200113	RUBBER HOSE 12 X 22
200814	O-RING 34,52X41,58X3,53
200815	O-RING F. HEAT.ELEM.
280504	MANIFOLD CONN.HOSE
281102	1/2" ADJ VALVE C/W GAUGE TYPE
290105	BRASS-TE-PLUG 1/2"
290215	1/2"BSP M/F UNION BRASS
290410	NIPPLE 1/2"
330322	INSULATED BOILER D.230 N/S
330524	SOLENOID VALVE MANIFOLD FILTER
331379	-TUBO COLL.RIDUTT.1/2"XS90 VAP
450104	CLAMP FE ZN H=12,5 15-24
450516	THERMOSTAT SHIELD FOR 2 TERMOS
460522	GASKET
510268	SOLENOID VALVE MANIFOLD
510407	NIPPLE FOR BOILER N S
620110	TWIN SOLENOID VALVE MANIFOLD
630948	COIL Z610A 24V 50/60-L180V01



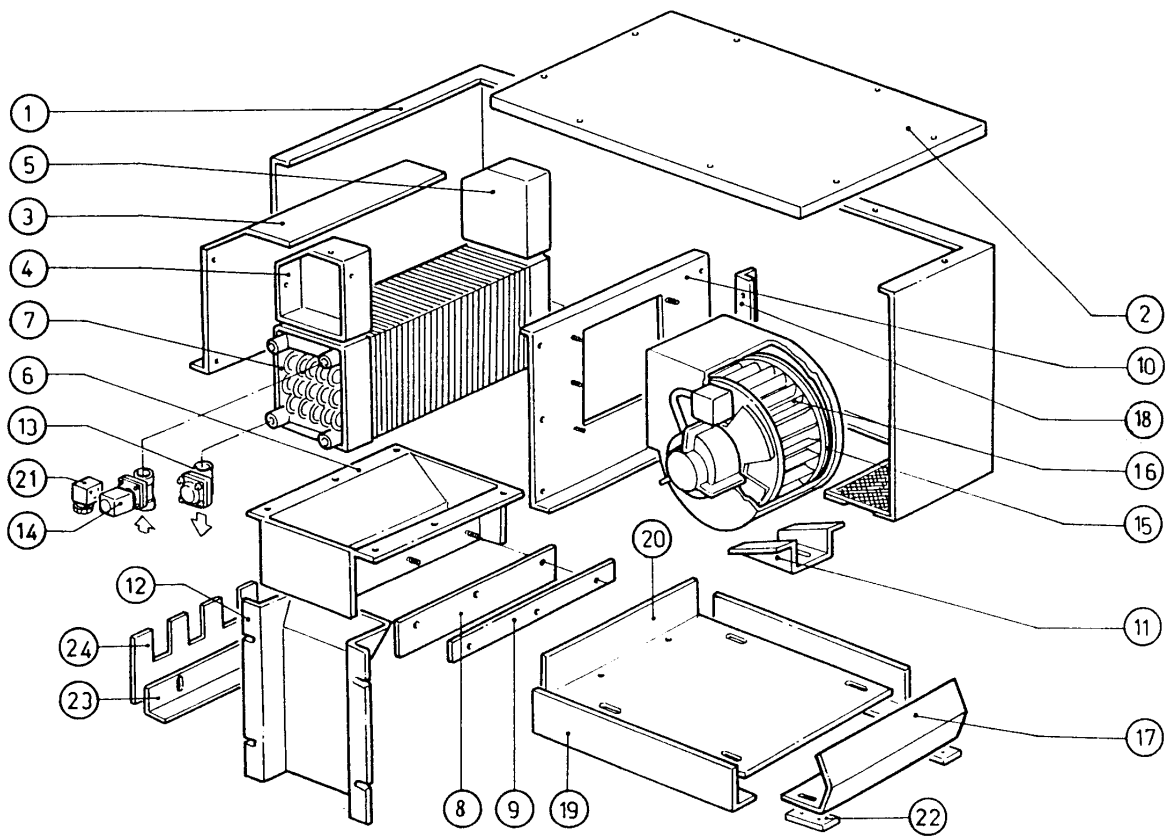
21 - Control Box

CODE	DESCRIPTION
110805	SWITCH THREEPOLE
120428	CONTACTOR 9A 24V 50HZ
120429	CONTACTOR 12A 24V 50HZ
120431	CONTACTOR 40A 24V 50HZ
120635	TRANSFORMER 400VA220-240-380-4
120718	SWITCH 25 AMP FOUR-POLE 500V
120721	SELECT.SWITCHRM300N-SHORT KNOB
120820	OVERLOAD RELAY 0,63-1A
120823	OVERLOAD RELAY 2.5/4 A
120825	OVERLOAD RELAY 5,5/8 A
130138	LIGHT WITH BAYONET COUPLING 3W
130230	FUSE 10,3X38 4A AM13004
130231	FUSE 10,3X38 6A AM13006
130232	FUSE 10.3X38 8A AM13008
130234	FUSE 10.3X38 12A AM13012
130237	FUSE 14X51 32A GL14332
130238	FUSE 14X51 40A GF 14340
130239	FUSE 22X58 63A GF15363
130247	FUSE 10.3X38 16A GF13316
130410	STOP CONTACT F40 CN RED
130411	START CONTACT YELLOW
130413	GREEN PUSH BUTTON
130911	CONTACT LA1 D40 A65
130912	TIMER CONTACT 0,1/30SEC. LA3D2
150106	LAMP GREEN 22X5
150107	TRANSPARENT LAMP 22X5
150710	FUSE CARRIER 10,3X38 ART.21401
150711	FUSE CARRIER 14X51 ART.21501
150712	FUSE CARRIER 22X58 ART.21601
180120	BLACK KNOBS WITH SQUARE CONNE
321544	BOX FOR CONTROL PANEL
440817	SNAP RING LSCB/1853/17/00
450911	DIGITAL THERMOSTAT MTR10P 24/5
450912	DIGIT.THERMOMETER MT10P V24/50
460863	PANEL (460865)



22 - Blower Dryer

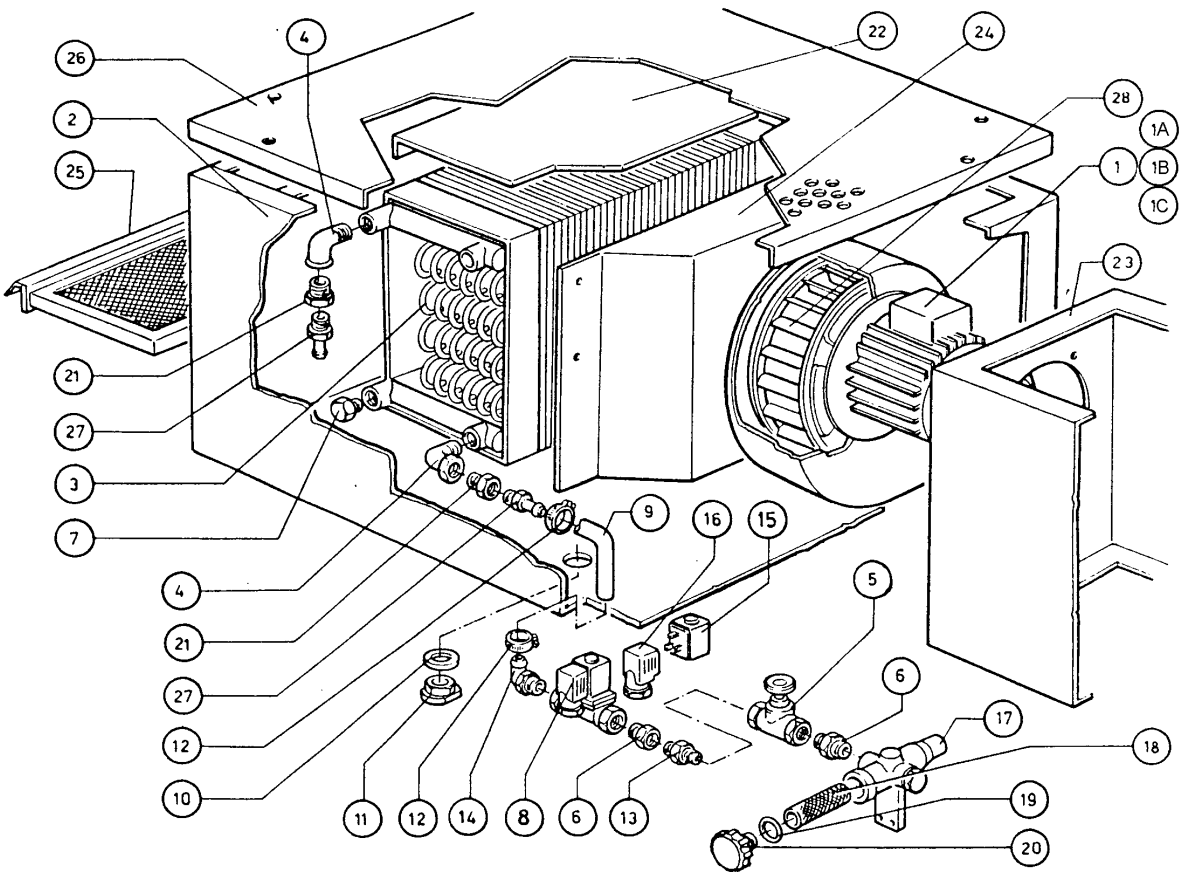
CODE	DESCRIPTION
100540	NE DRYER FAN 2HP 220/380/50HZ
110704	HEAT.ELEMENT/DRYING 1000W 220V
120512	THERMOSTAT IM50/210Ø
120520	SECURITY THERMOSTAT 110-130Ø
140101	BRASS CONNECT. PLATE HEAT.ELEM
160524	SPACER OF SHAFT SE
190915	FIXING PLATE
270101	HEXAGON LOCK NUT 1/2"
320140	DRYER DEFLECTOR NE
320142	DEFLECTOR F. DRYER
320148	DEFLECTOR F. DRYER
320347	COVER FOR DRYER
320669	FIXING PLATE
331441	BRACKET FOR DRYING VENTILATOR
331459	BRACKET FOR DRYING VENTILATOR
340322	PANEL
340324	PANEL
341327	FAN SUPPORT
341347	RIGHT SUPPORT
341348	LEFT SUPPORT
341350	PANEL
341352	SUPPORT
350737	BRACKET FOR CLOSED THERMOSTATS
360911	PANEL
370413	DRYING MODULE
450515	STAINL.ST.SHIELD FOR 1 THERMOS
630312	FAN IMPELLOR X C 100531 D.300X



23 - Blower Dryer

CODE	DESCRIPTION
100540	NE DRYER FAN 2HP 220/380/50HZ
120108	SOLENOID V. STEAM 24V50HZ 1"G
150033	CONNEC.F.SOLEN.VALVE 182.09.N
160524	SPACER OF SHAFT SE
190915	FIXING PLATE
310702	STEAM TRAP 1/2" MK 25/3
320140	DRYER DEFLECTOR NE
320142	DEFLECTOR F. DRYER
320148	DEFLECTOR F. DRYER
320347	COVER FOR DRYER
320669	FIXING PLATE
331441	BRACKET FOR DRYING VENTILATOR
331459	BRACKET FOR DRYING VENTILATOR
340322	PANEL
340324	PANEL
341327	FAN SUPPORT
341338	RIGHT PANEL
341339	LEFT PANEL
341350	PANEL
341352	SUPPORT
360911	PANEL
370413	DRYING MODULE
400815	BATTERY FOR DRYING (9-12KW) SE
630312	FAN IMPELLOR X C 100531 D.300X

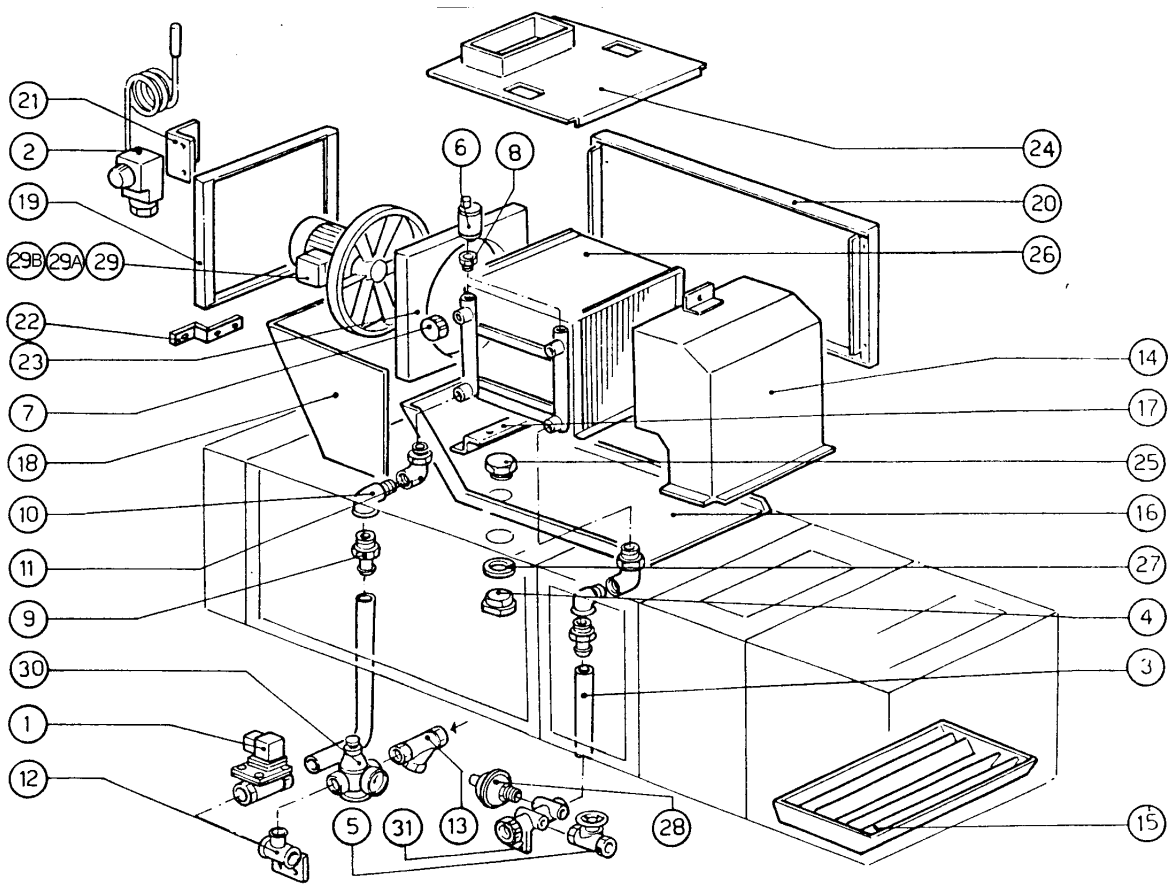
24 - Steam Condenser



24 - Steam Condenser

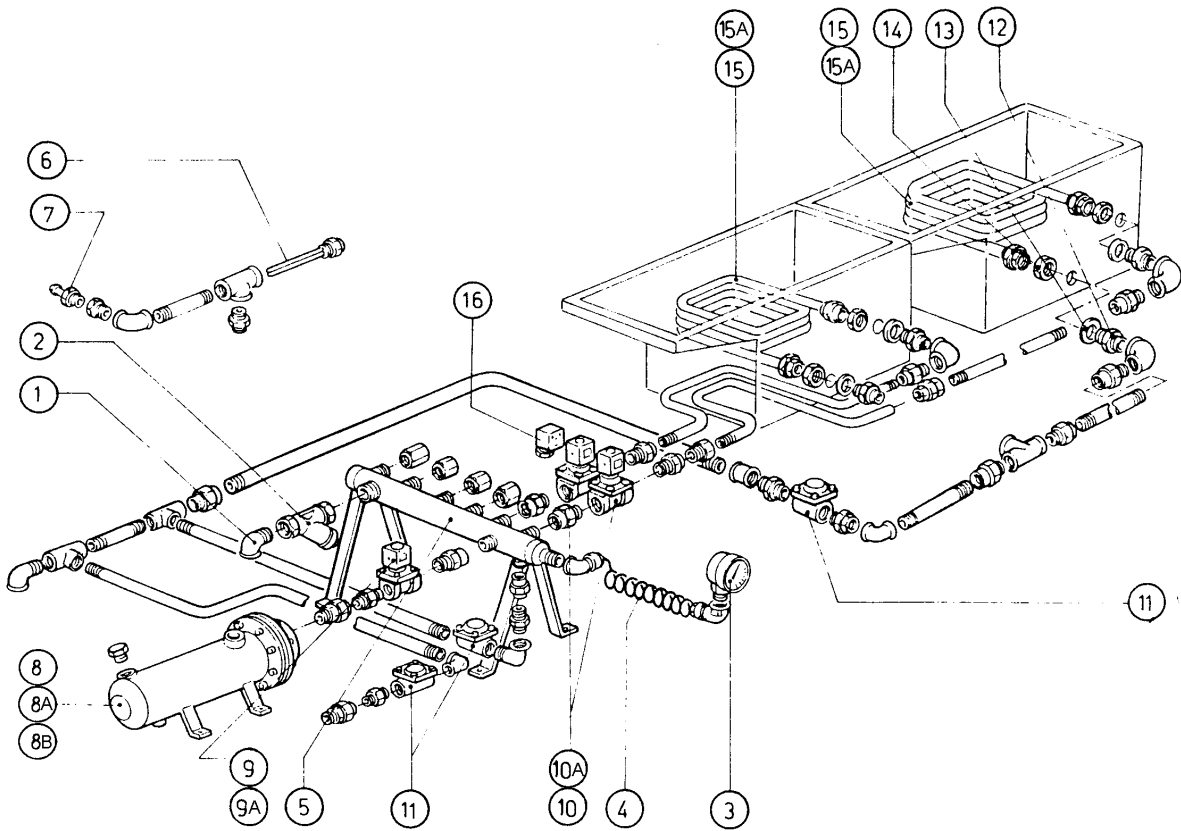
CODE	DESCRIPTION
100509	FAN 0,75HP 220/415 V164/2
100515	FAN HP 0,75/240/415 (100509)
100523	FAN 0,75 HP 220/380V-60HZ
100526	FAN HP 0,75 255/440-60-VR184
120131	SOLEN. L182Q31-ZB10A 1/2"24V
150034	CONNEX.F.SOLEN.VALVE 122.09.N
160709	KNOB OF MANIFOLD F. SOLEN. VAL
200113	RUBBER HOSE 12 X 22
200814	O-RING 34,52X41,58X3,53
270301	BRASS NIPPLES 1/2"
280408	NUT
280601	GATE VALVE 1/2" BRASS
290215	1/2"BSP M/F UNION BRASS
290410	NIPPLE 1/2"
300410	ELL 3/4" MF
310302	NIPPLE 3/4"-1/2"
310402	PLUG 3/4"
320123	VORTEX BREAKER F.STEAM CONDENS
320335	TOP PANEL FOR STEAM CONDENSER
320336	TOP PANEL FOR STEAM CONDENSER
330526	FILTERS 22X28 SOLENOID V.MANIF
330549	CONDENSATE UNIT FILTER
340318	PANEL
370410	CONDENSER MODULE
400810	BATTERY (400817)
450104	CLAMP FE ZN H=12,5 15-24
460503	SEALING WASHER 38X27X2(3/4)
510407	NIPPLE FOR BOILER N S
620121	TWIN SOLENOID VALVE MANIFOLD
630301	FAN IMPELLOR FOR 100509
630948	COIL Z610A 24V 50/60-L180V01

25 - Heat recovery unit

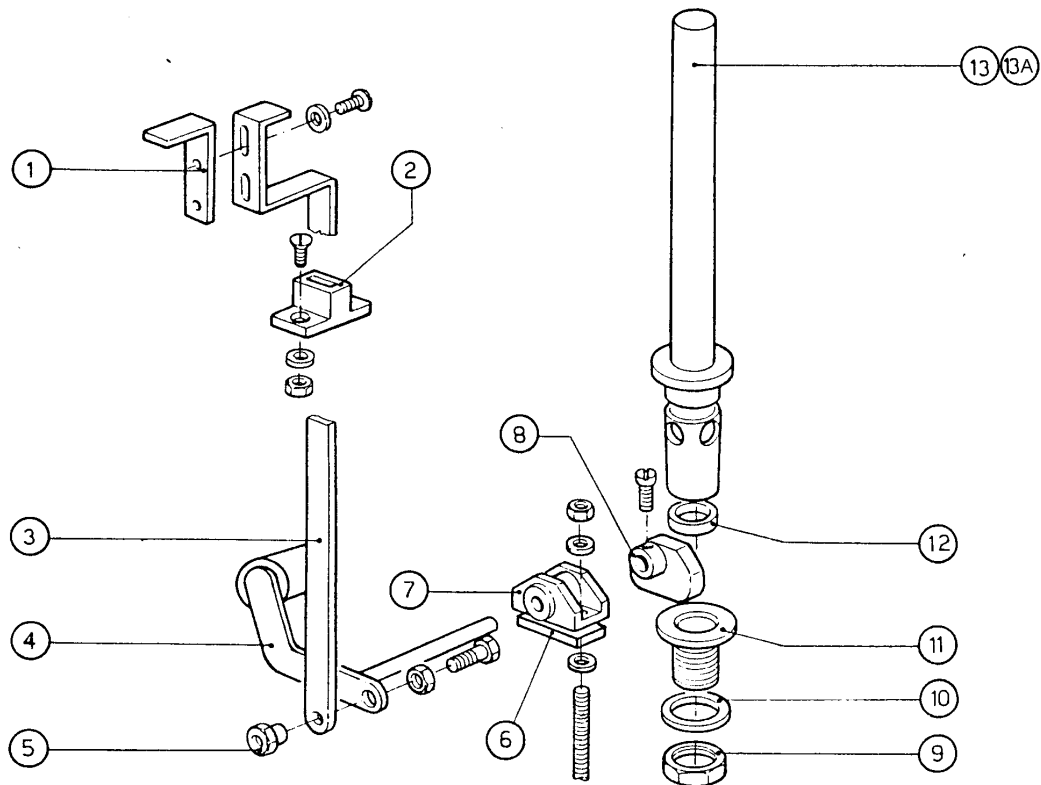


25 - Heat recovery unit

CODE	DESCRIPTION
100512	FAN HP 0,75 400EVH/4/27
100518	FAN HP0,75 240/415/50 (100512)
100522	FAN HP 1 240/415V (100521)
120123	SOLENOID VALVE L180B12 1" V.24
120515	THERMOSTAT 0-90°C
200104	DISCHARGE HOSE 20X30
280408	NUT
280601	GATE VALVE 1/2" BRASS
280605	AUTOMATIC AIR VENT 1/4" GAS
281101	3/4" ADJ VALVE C/W GAUGE
290118	BRASS TE PLUG 3/4"
290306	CONNECTION 1/4 MF
290403	NIPPLE M.3/4" BRASS
300410	ELL 3/4" MF
300612	UNION ELL 3/4" F-F
300914	TEE 1"
310603	STRAINERS JU 1" MOD.45
320105	DEFLECTOR F. DRYER
320111	DEFLECTOR F. HRU
320128	BREAKER (320150)
330774	BRACKET
340320	PANEL
350258	PANEL
350296	PANEL
350737	BRACKET FOR CLOSED THERMOSTATS
350752	BRACKET
350809	SUPPORT
360910	COVER
380146	CONDENSER UNIT DRAIN CONNECTIO
400809	CONDENSER BATTERY ENERGY REC.
460503	SEALING WASHER 38X27X2(3/4)
620121	TWIN SOLENOID VALVE MANIFOLD
631303	HYDRAULIC AIR VESSEL FOR HEAT



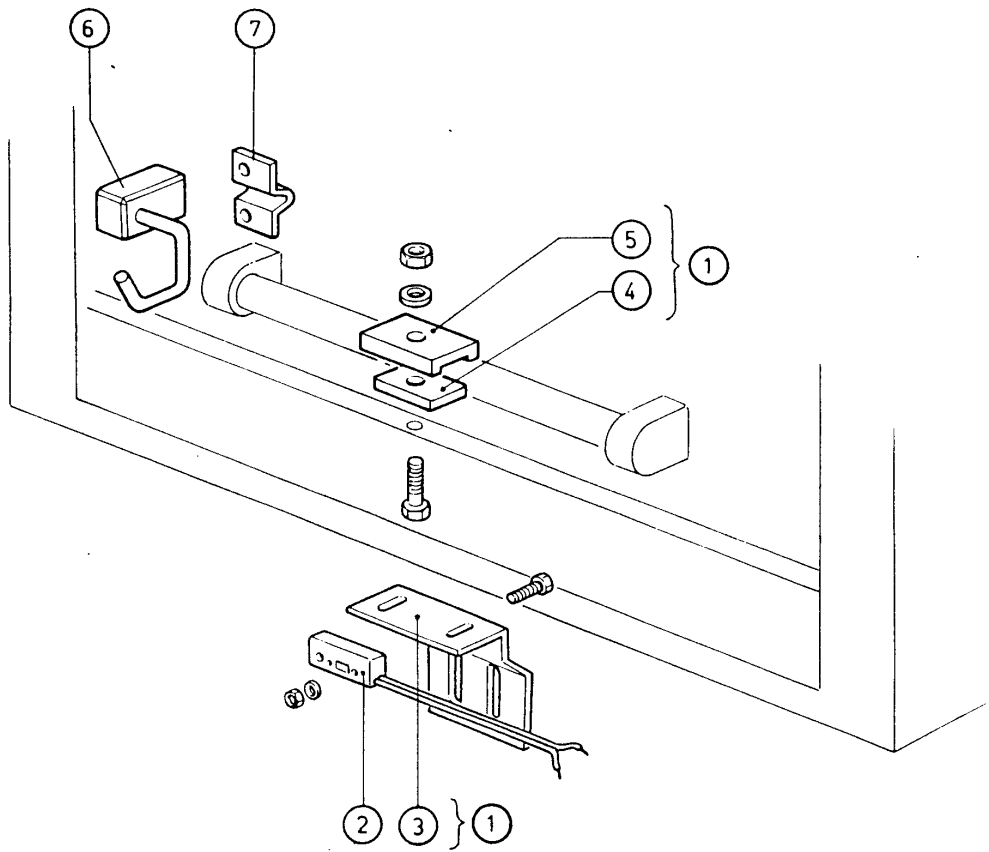
CODE	DESCRIPTION
120108	SOLENOID V. STEAM 24V50HZ 1"G
120162	SOLENOID VALVE L145R1Z734A 3/4
120163	SOLEN.VAL.ST.L145R1Z234A 1"24V
120165	SOLEN.VALVE ST.24V50HZ 3/4"
150033	CONNEC.F.SOLEN.VALVE 182.09.N
240714	STEAM COIL 0,27M2 12000 KCAL
240715	STEAM COIL 0,41M2
270102	LOCK NUT 3/4"
280512	STEAM COIL CONNECTION
290410	NIPPLE 1/2"
300415	ELL 2" MF
310604	STRAINERS JU 2" MOD.45
310705	STEAM TRAPS MK25/3 D.1/2"
330313	STEAM BOILER 18000KCAL/H
330314	STEAM BOILER 30000 KCAL/H
330315	STEAM BOILER 40000KCAL/H
381404	HOSE STEAM GAUGE
400533	ST/ST STEAM MANIFOLD FOR NE MA
441401	PRESSURE GAUGE 60 SCALO-4CR1/4
450514	SEE 450516
460503	SEALING WASHER 38X27X2(3/4)



27 - Rinse assembly

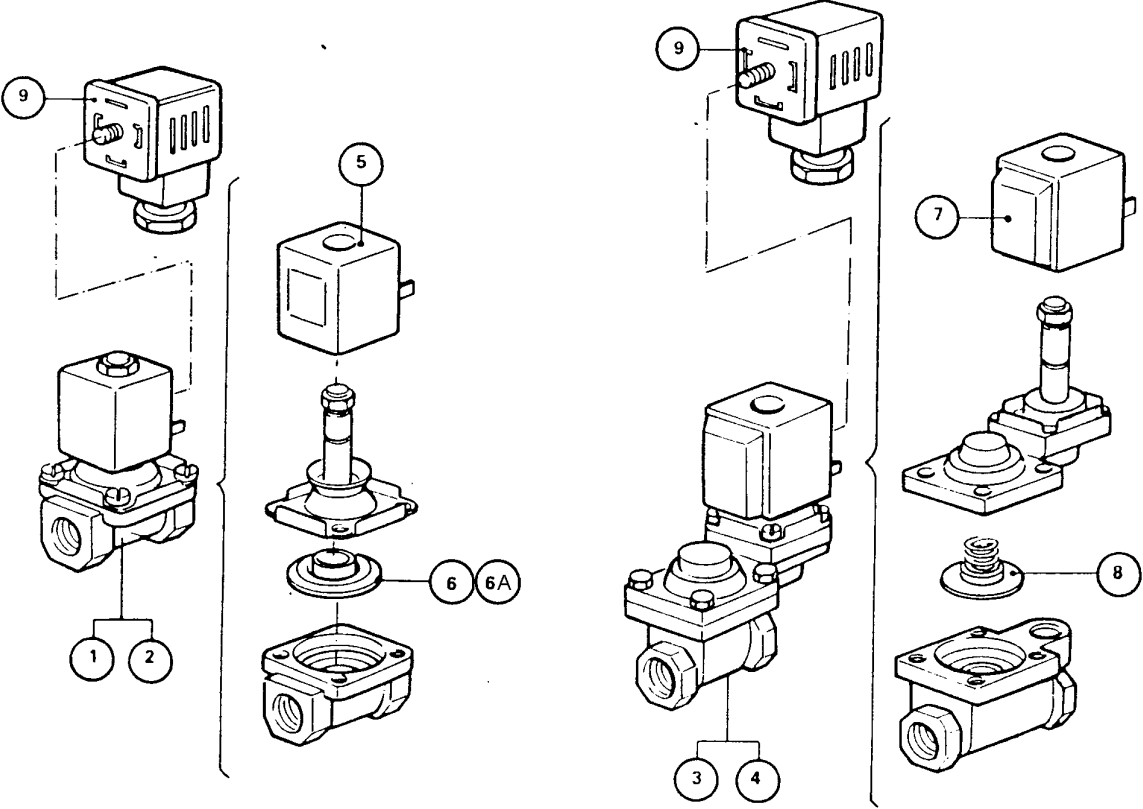
CODE	DESCRIPTION
160524	SPACER OF SHAFT SE
190122	BEARING FOR DRAIN GROUP SE
191048	ROD SUPPORT F.DRAIN GROUP NE
200410	DRAIN OUTL.WASH.1 1/2"65X47X2
200424	O RINGS WASH/PRE-WASH ARMS
270104	LOCK NUT 1" 1/2
270405	DRAIN OUTLET N
330839	ECCENTRIC GEAR FOR DRAIN NE
330840	BUSCH
331442	BRACKET
341238	ALBERO SCARICO NE DP LUCIDATO
370209	DRAIN LEVER NE
380810	OVERFLOW PIPE WITH DRAIN 371MM
380811	OVERFLOW PIPE WITH DRAIN 304MM

28 - Door micro-switch assy.



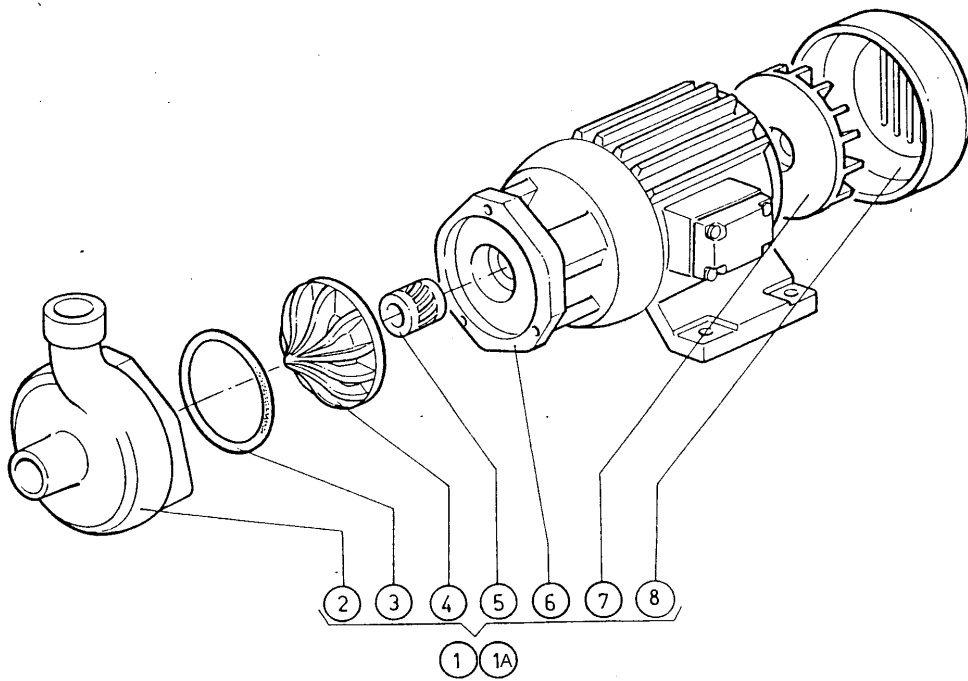
28 - Door micro-switch assy.

CODE	DESCRIPTION
120342	DOR MAGNETIC SWITCH
190806	MAGNET HOUSING
331112	HOOK (331116)
331454	MICRO SWITCH BRACKET
341016	BRACKET FOR DOOR SECURITY HOOK
411002	PERMANENT MAGNET 24X12
620233	DOOR MAGN.SWITCH G/NE/NG/LV



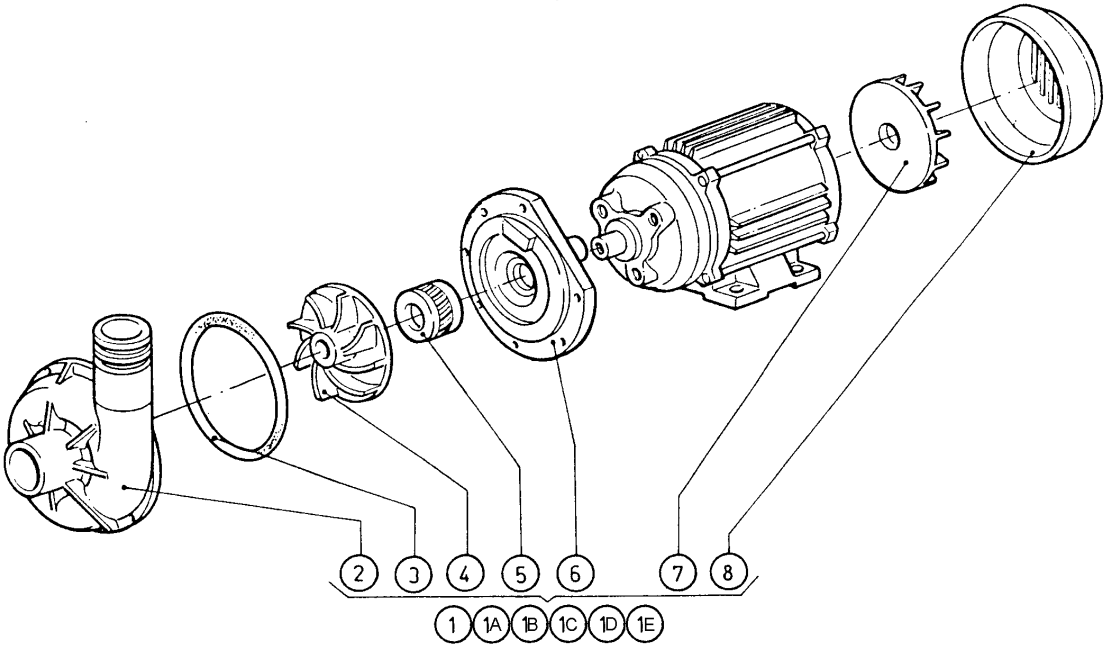
29 - Solenoid Valve

CODE	DESCRIPTION
120107	STEAM SOLEN.VALVE 24V 3/4" 120
120108	SOLENOID V. STEAM 24V50HZ 1"G
120127	SOLEN.VALVE STEAM 24V50HZ3/4"G
120128	SOLENOID VALVE
150033	CONNEC.F.SOLEN.VALVE 182.09.N
630610	SOLEN.VALVE DIAPHRAGM SI L149-
630611	SOLEN.VALVE DIAPHRAGM L149/D4-
630619	MEMBRANE
630698	.
630952	COIL F.SOLEN.VALVE 3/4" 24V L1



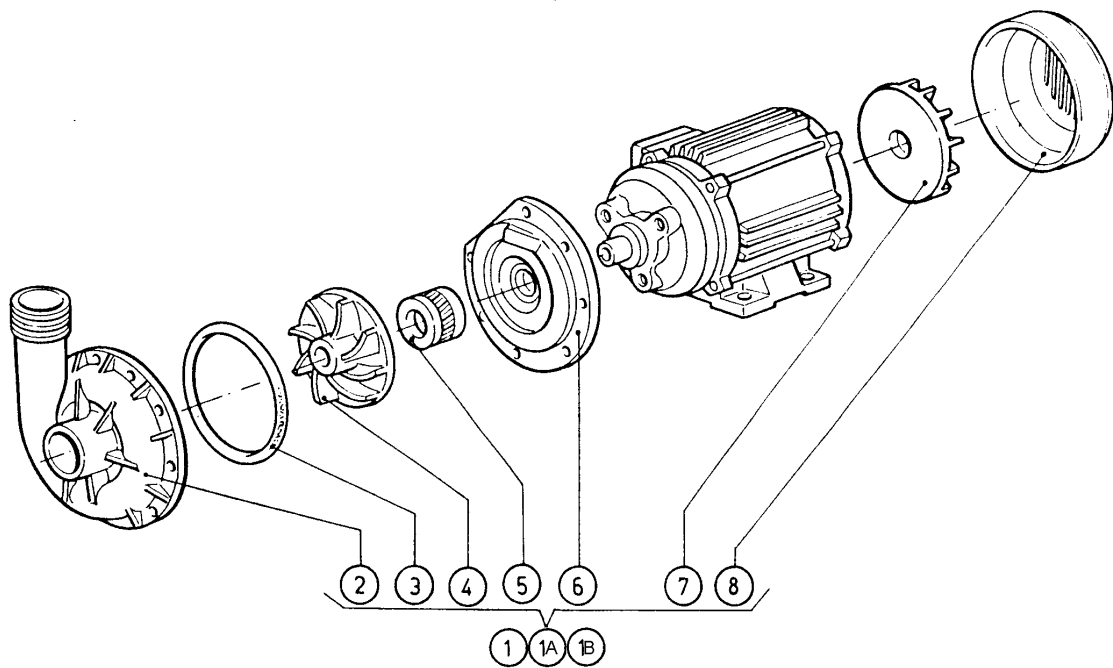
30 - Ecorinse Pump

CODE	DESCRIPTION
100647	PUMP HP 0,20 220/240/3 4226
100669	PUMP HP 0,12 220/380 60HZ C16
630125	VOLUTE 0,12/0,3(2212-29)
630235	PUMP COVER 0,12/0,3 2212-19
630238	COVER
630316	FAN IMPELLOR
630416	OR FOR VOLUTE 0,12/0,3
630514	PUMP SEAL FIR4208
631622	IMPELLER HP 0,10-FI TIP 1291



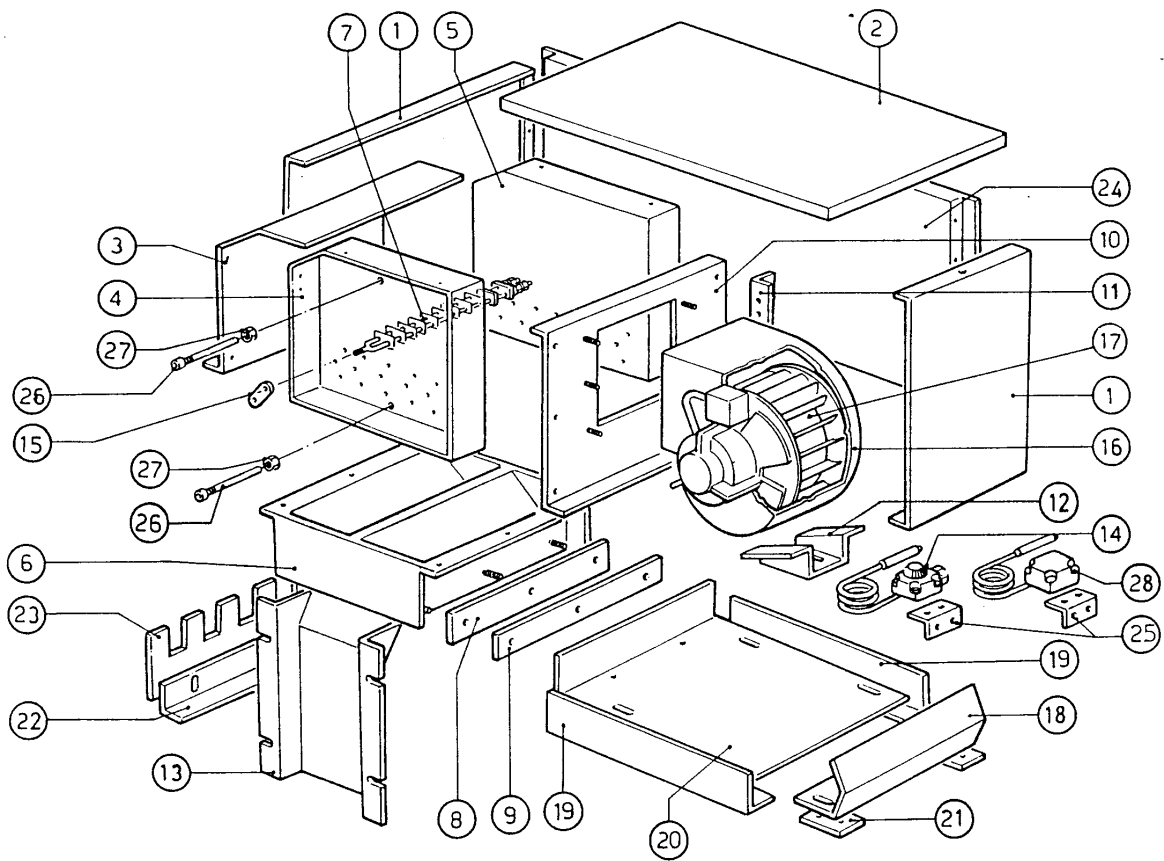
31 - Prewash pump

CODE	DESCRIPTION
100306	PUMP HP 2 115/200/60HZ-1204
100337	PUMP HP2 440/3 50HZ-1204
100380	PUMP HP2 415/3-1204 (100361)
100605	PUMP HP 2 380/3/60HZ 1204
100613	PUMP HP 2 440/3/60HZ 1204
100693	PUMP HP 2 220/380V-50HZ1204
630114	VOLUTE FI HP2-2,7-3-3,2
630216	FAN HOUSING FIR HP 2-3
630223	BACK PLATE PUMP HP2-3-3,2
630306	PUMP FAN IMPELLOR FI HP.2-3
630411	O-RING PUMP FI HP 2-2,7
630501	SEAL FOR PUMP HP 2-3-3,2
631618	IMPELLER PUMP F HP2-D.116,5



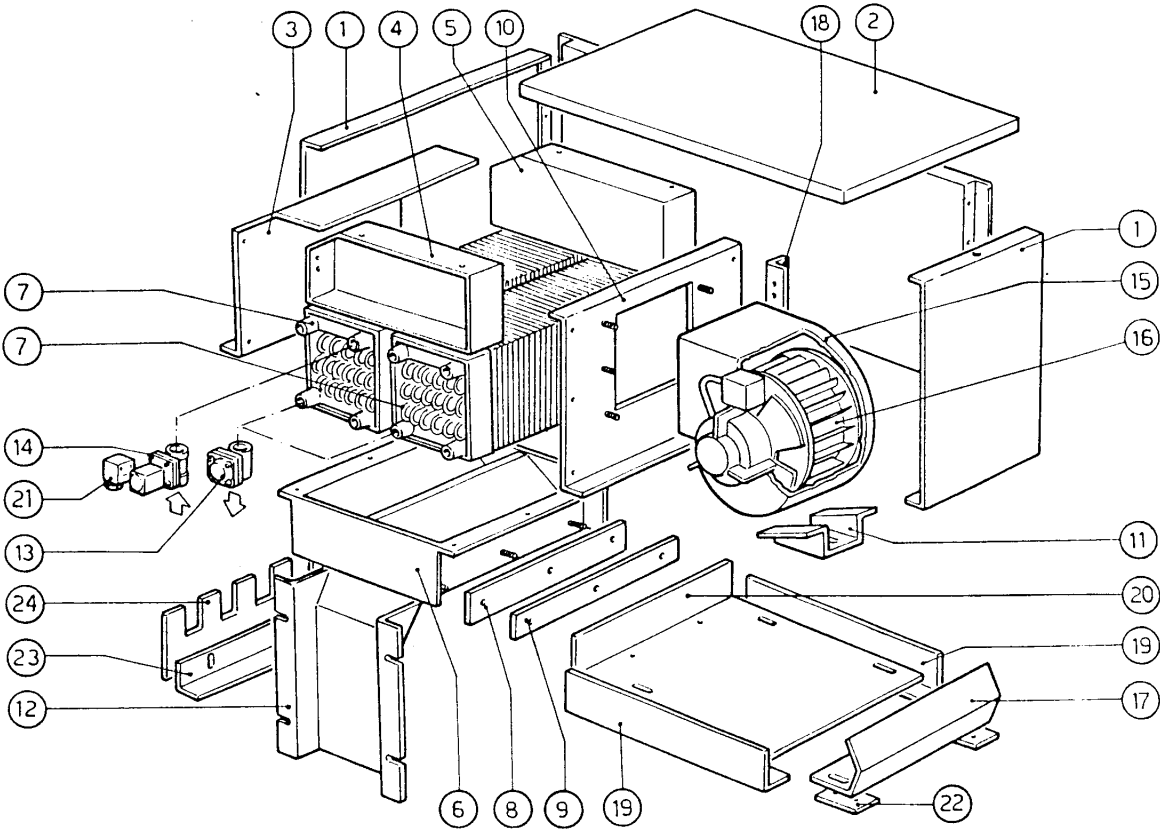
32 - Wash pump

CODE	DESCRIPTION
100398	PUMP HP 3,7 220/380/50-2275
100633	PUMP HP 0,37 (100398)
100638	PUMP HP 3,7 220/380/3-60 1275
630122	VOLUTE HP3,7 /2275
630232	BACKPLATE HP3,7/FIR 2275
630236	FAN HOUSING
630315	COOLING FAN F.PUMP 2275 HP 3,7
630418	PUMP GASKET 3,7HP 2275
630516	PUMP SEAL HP 3,7
631628	PUMP IMPELLER HP3,7/134,5-2275



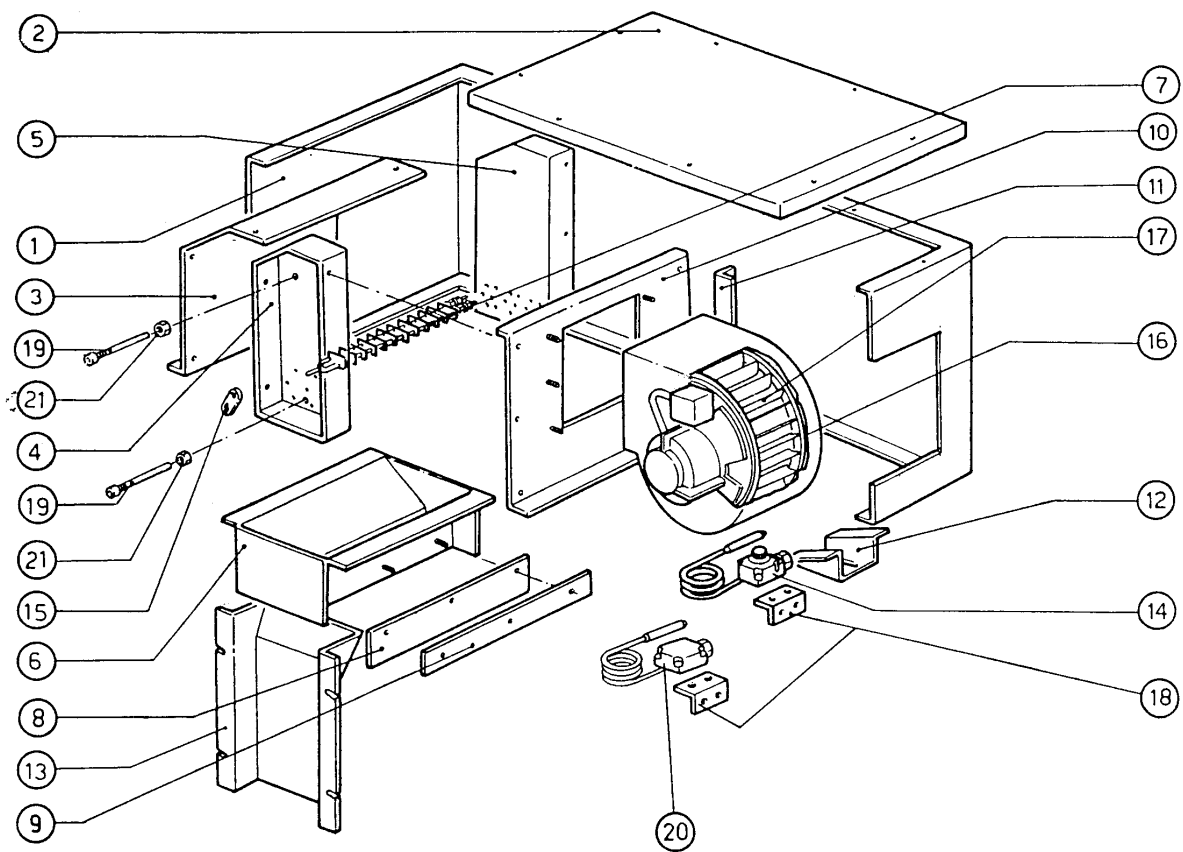
33 - Blower Dryer 1000

CODE	DESCRIPTION
100535	FAN HP 2 220/3-50 AT10-8DD
110704	HEAT.ELEMENT/DRYING 1000W 220V
120512	THERMOSTAT IM50/210Ø
120520	SECURITY THERMOSTAT 110-130Ø
140101	BRASS CONNECT. PLATE HEAT.ELEM
160524	SPACER OF SHAFT SE
190915	FIXING PLATE
270101	HEXAGON LOCK NUT 1/2"
320140	DRYER DEFLECTOR NE
320142	DEFLECTOR F. DRYER
320143	DEFLECTOR F. DRYER 1000MM
320358	TOP FOR DRYER 1000MM
320669	FIXING PLATE
331441	BRACKET FOR DRYING VENTILATOR
331459	BRACKET FOR DRYING VENTILATOR
340322	PANEL
340324	PANEL
341327	FAN SUPPORT
341350	PANEL
341352	SUPPORT
341354	RIGHT SUPPORT FOR DRYER 18KW 1
341355	LEFT SUPPORT FOR DRYER 18KW 10
350258	PANEL
350737	BRACKET FOR CLOSED THERMOSTATS
360913	BACK PANEL 1000MM NE XL
450515	STAINL.ST.SHIELD FOR 1 THERMOS
630312	FAN IMPELLOR X C 100531 D.300X



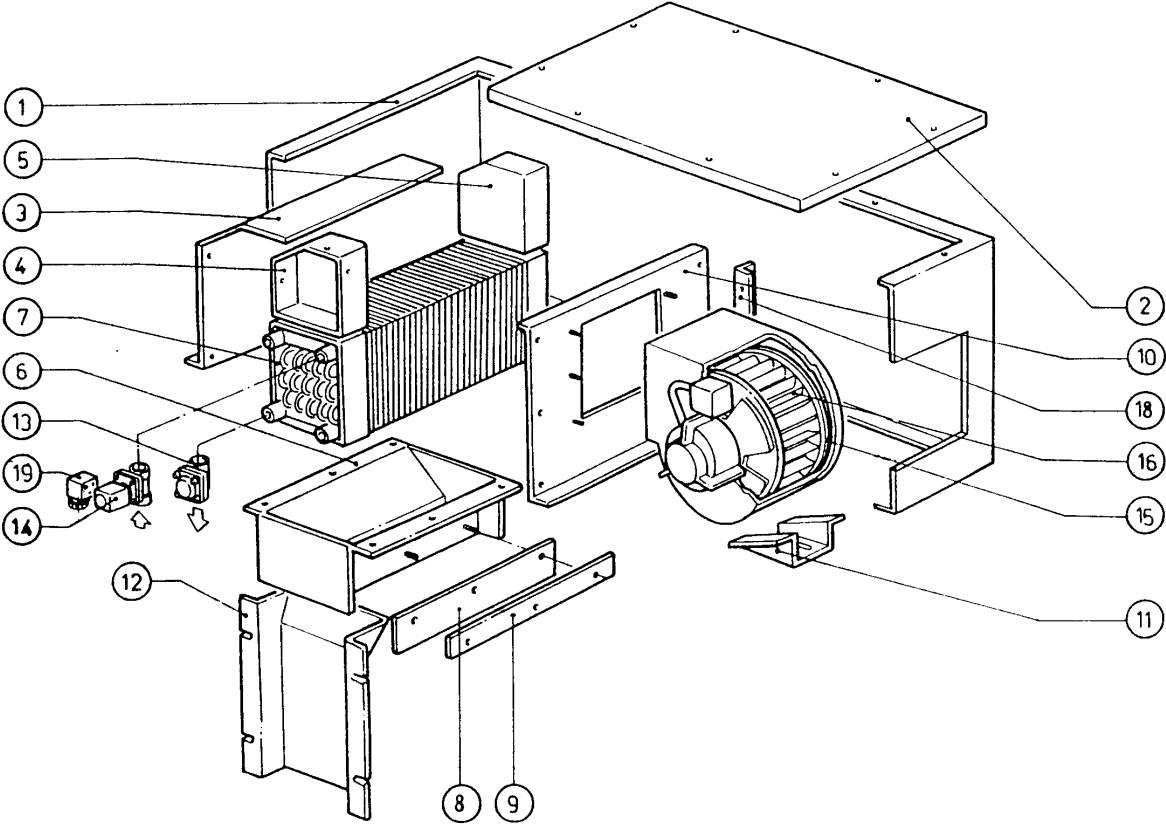
34 - Steam Blower Dryer 1000

CODE	DESCRIPTION
100535	FAN HP 2 220/3-50 AT10-8DD
120108	SOLENOID V. STEAM 24V50HZ 1"G
150033	CONNEC.F.SOLEN.VALVE 182.09.N
160524	SPACER OF SHAFT SE
190915	FIXING PLATE
310702	STEAM TRAP 1/2" MK 25/3
320140	DRYER DEFLECTOR NE
320142	DEFLECTOR F. DRYER
320143	DEFLECTOR F. DRYER 1000MM
320358	TOP FOR DRYER 1000MM
320669	FIXING PLATE
331441	BRACKET FOR DRYING VENTILATOR
331459	BRACKET FOR DRYING VENTILATOR
340322	PANEL
340324	PANEL
341327	FAN SUPPORT
341350	PANEL
341352	SUPPORT
341356	RIGHT PANEL
341357	LEFT PANEL
350258	PANEL
360913	BACK PANEL 1000MM NE XL
400815	BATTERY FOR DRYING (9-12KW) SE
630312	FAN IMPELLOR X C 100531 D.300X



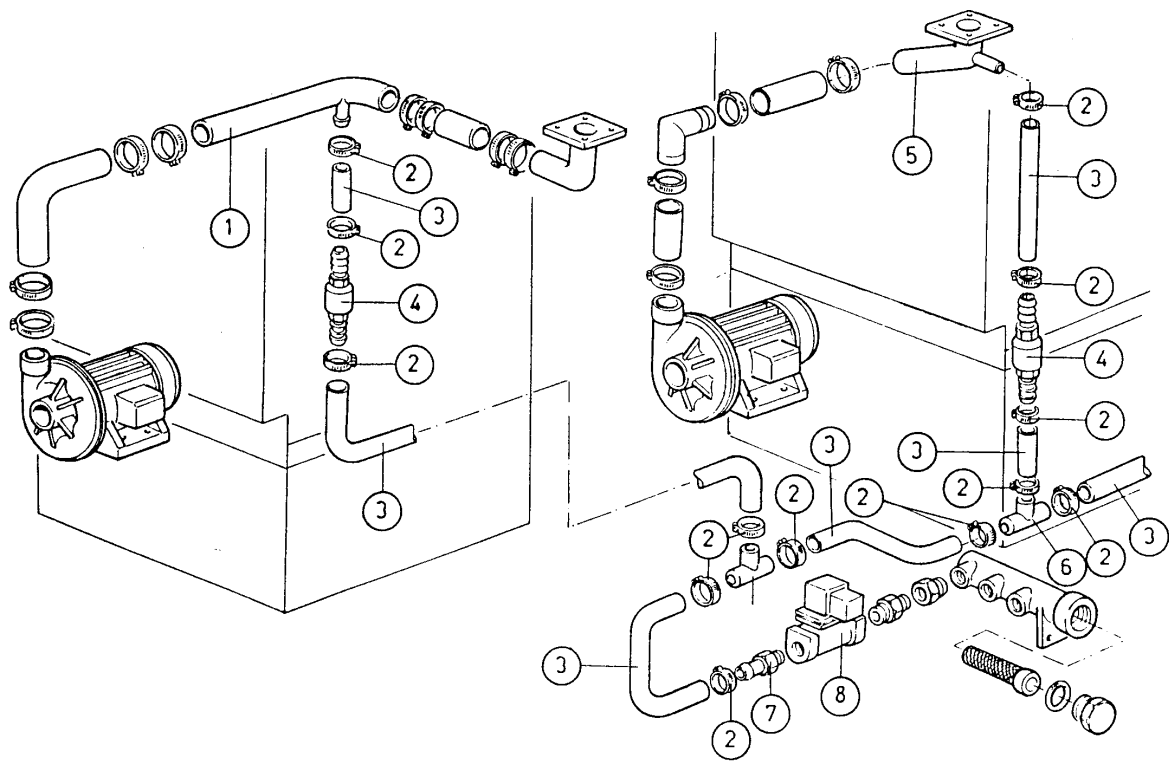
35 - Blower Dryer 800

CODE	DESCRIPTION
100540	NE DRYER FAN 2HP 220/380/50HZ
110704	HEAT.ELEMENT/DRYING 1000W 220V
120512	THERMOSTAT IM50/210Ø
120520	SECURITY THERMOSTAT 110-130Ø
140101	BRASS CONNECT. PLATE HEAT.ELEM
190915	FIXING PLATE
270101	HEXAGON LOCK NUT 1/2"
320132	DEFLECTOR F. DRYER
320140	DRYER DEFLECTOR NE
320364	COVER
320669	FIXING PLATE
331441	BRACKET FOR DRYING VENTILATOR
331459	BRACKET FOR DRYING VENTILATOR
341327	FAN SUPPORT
341347	RIGHT SUPPORT
341348	LEFT SUPPORT
350737	BRACKET FOR CLOSED THERMOSTATS
360911	PANEL
370416	HOUSING
450515	STAINL.ST.SHIELD FOR 1 THERMOS
630312	FAN IMPELLOR X C 100531 D.300X



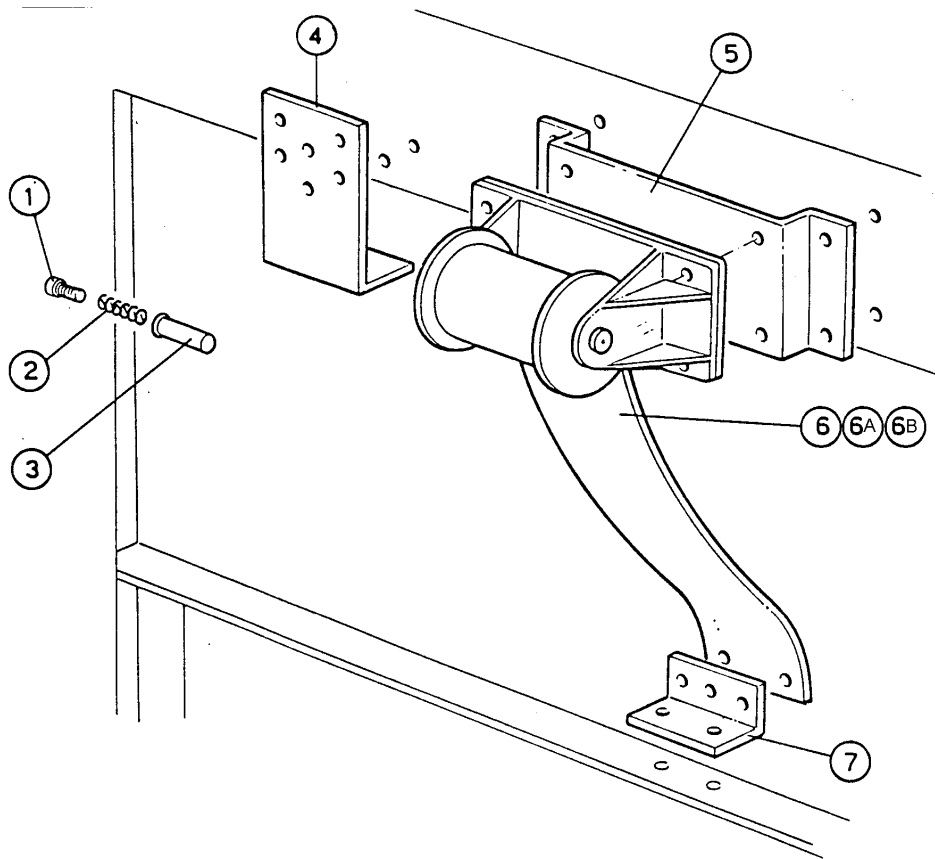
36 - Steam Blower Dryer 800

CODE	DESCRIPTION
100540	NE DRYER FAN 2HP 220/380/50HZ
120108	SOLENOID V. STEAM 24V50HZ 1"G
150033	CONNEC.F.SOLEN.VALVE 182.09.N
190915	FIXING PLATE
310702	STEAM TRAP 1/2" MK 25/3
320132	DEFLECTOR F. DRYER
320140	DRYER DEFLECTOR NE
320364	COVER
320669	FIXING PLATE
331441	BRACKET FOR DRYING VENTILATOR
331459	BRACKET FOR DRYING VENTILATOR
341327	FAN SUPPORT
341338	RIGHT PANEL
341339	LEFT PANEL
360911	PANEL
370416	HOUSING
400815	BATTERY FOR DRYING (9-12KW) SE
630312	FAN IMPELLOR X C 100531 D.300X



37 - Pumps washer

CODE	DESCRIPTION
120131	SOLEN. L182Q31-ZB10A 1/2"24V
180403	TEE-NIPPLE F2-F300-B10-11
200113	RUBBER HOSE 12 X 22
290410	NIPPLE 1/2"
290605	CHECK VALVE 1/2"
331544	DELIVERY ELBOW NE WITH SELF CL
331545	OUTLET HOSE
450104	CLAMP FE ZN H=12,5 15-24



38 - Door counterbalance

CODE	DESCRIPTION
330845	BUSH FOR DOOR FRICTION RAIL N
331425	DOOR CATCH BRACKET SE
331426	BRACKET F. HOOD SPRING FIXING
331430	BRACKET FOR DOOR SPRING
341239	PIN F.DOOR FRICTION RAIL N S
391309	DOOR SPRING 4KG - 40MM
391314	DOOR SPRING 3KG - 40MM
391315	DOOR SPRING 2,5KG - 40MM
450215	SPRING F.SWITCH ROD R/B41-11-2